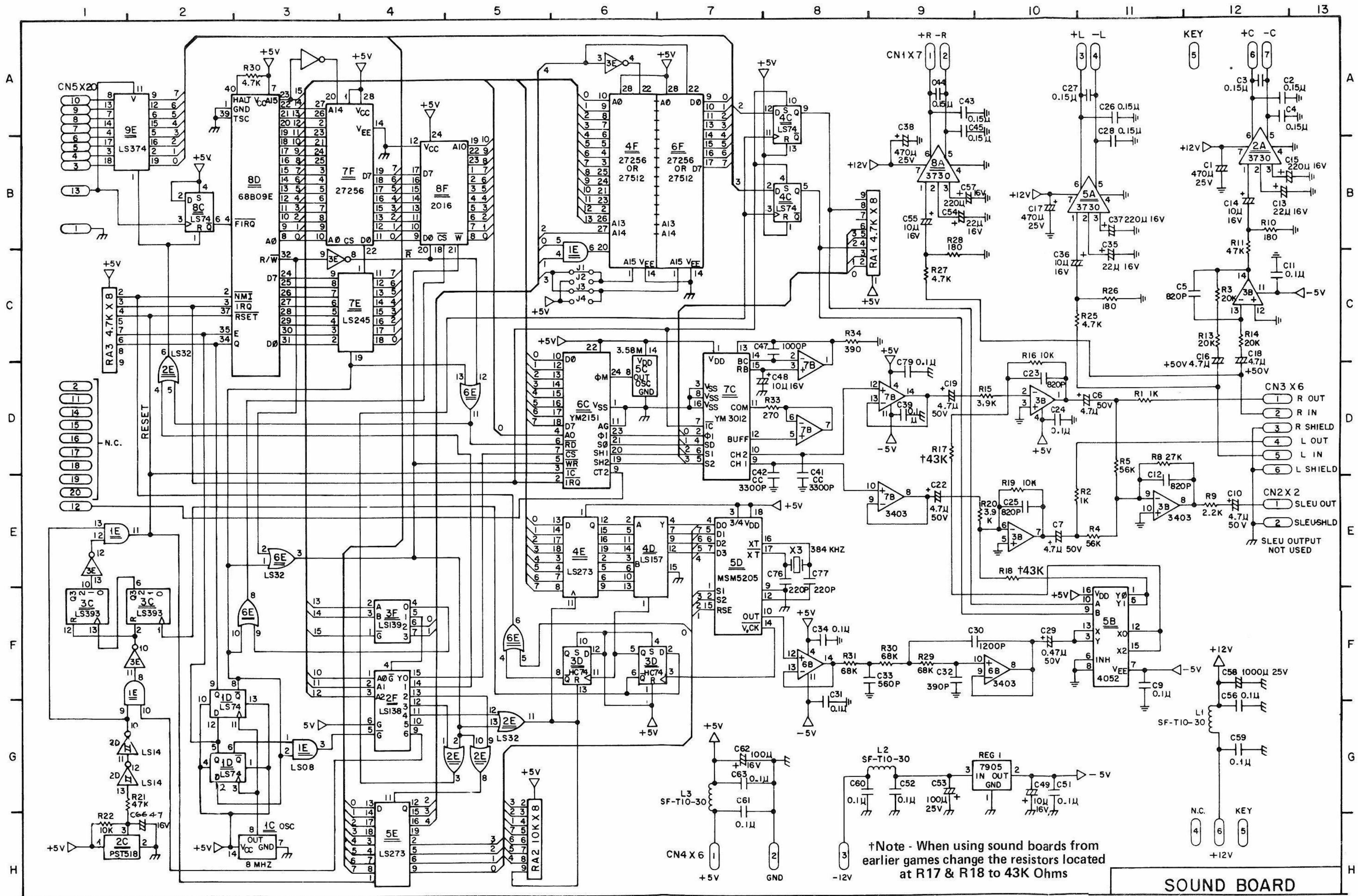


520-5002-01

C94 MADE IN USA

LS374
SOUND SELECT DATA LATCH



†Note - When using sound boards from earlier games change the resistors located at R17 & R18 to 43K Ohms

SOUND BOARD