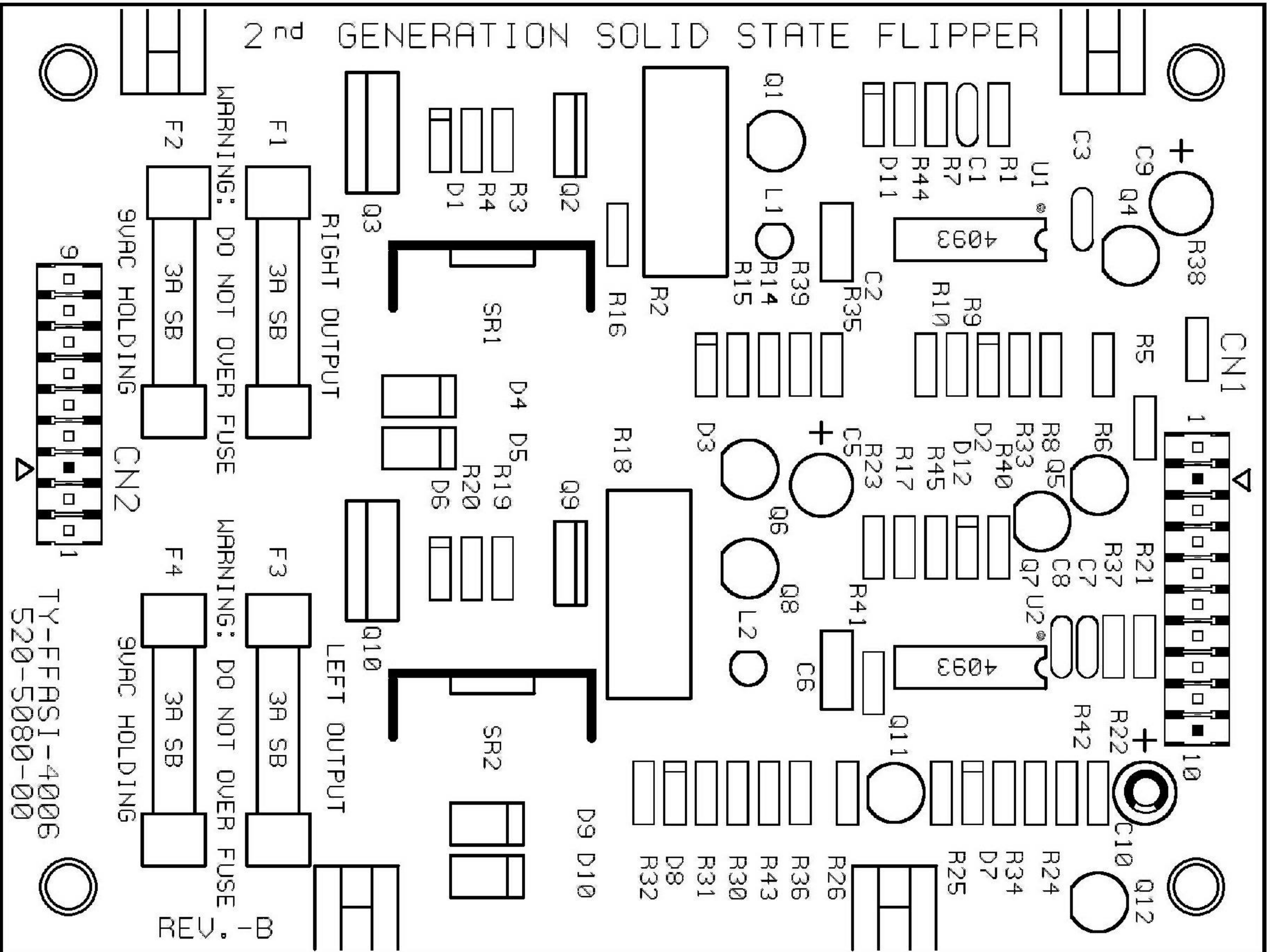
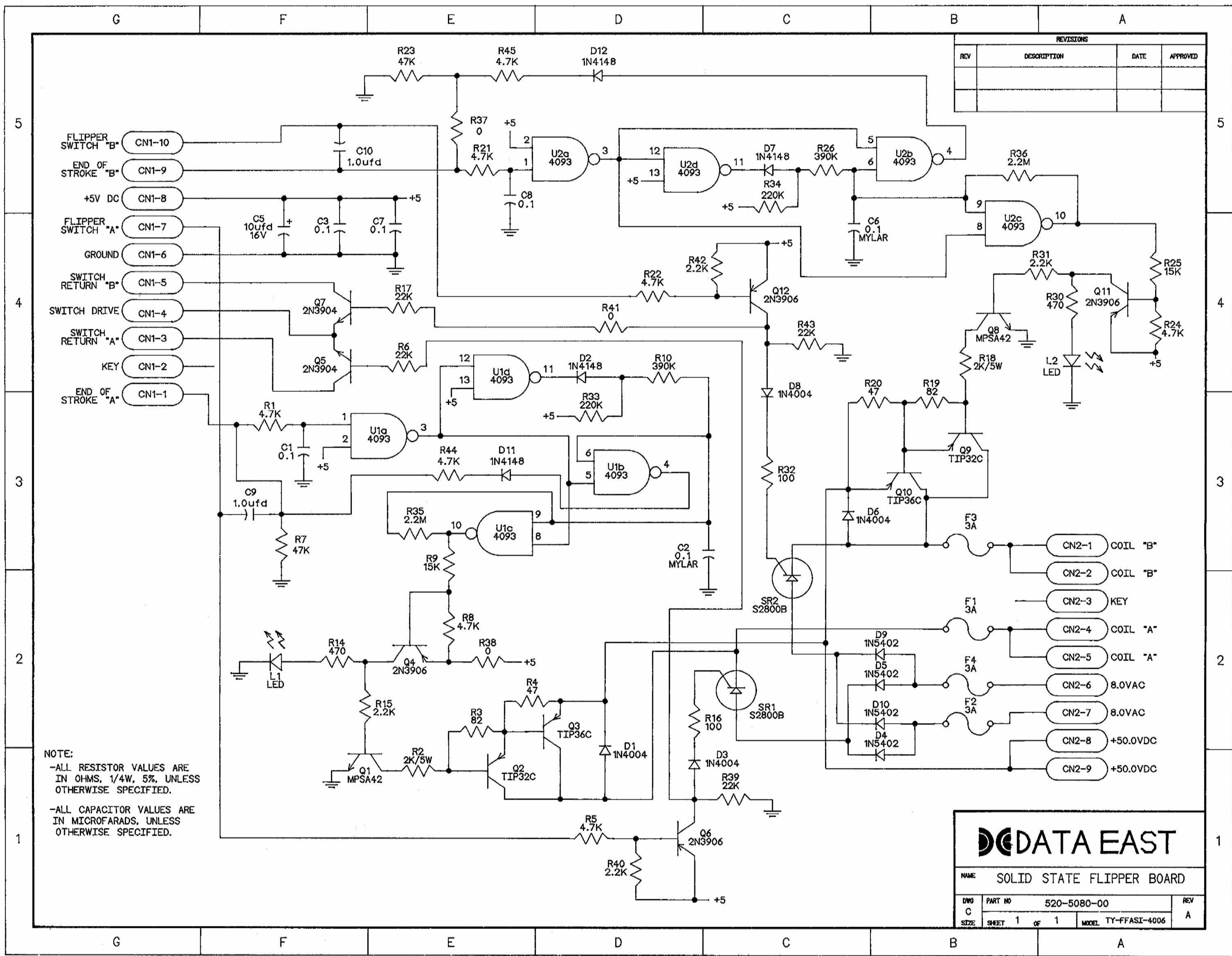


2nd GENERATION SOLID STATE FLIPPER



TY-FFASI-4006
520-5080-00



REVISIONS			
REV	DESCRIPTION	DATE	APPROVED

NOTE:
 -ALL RESISTOR VALUES ARE IN OHMS, 1/4W, 5%, UNLESS OTHERWISE SPECIFIED.
 -ALL CAPACITOR VALUES ARE IN MICROFARADS, UNLESS OTHERWISE SPECIFIED.

DATA EAST

NAME: SOLID STATE FLIPPER BOARD

DWG C	PART NO 520-5080-00	REV A
SIZE	SHEET 1 OF 1	MODEL TY-FFASI-4006