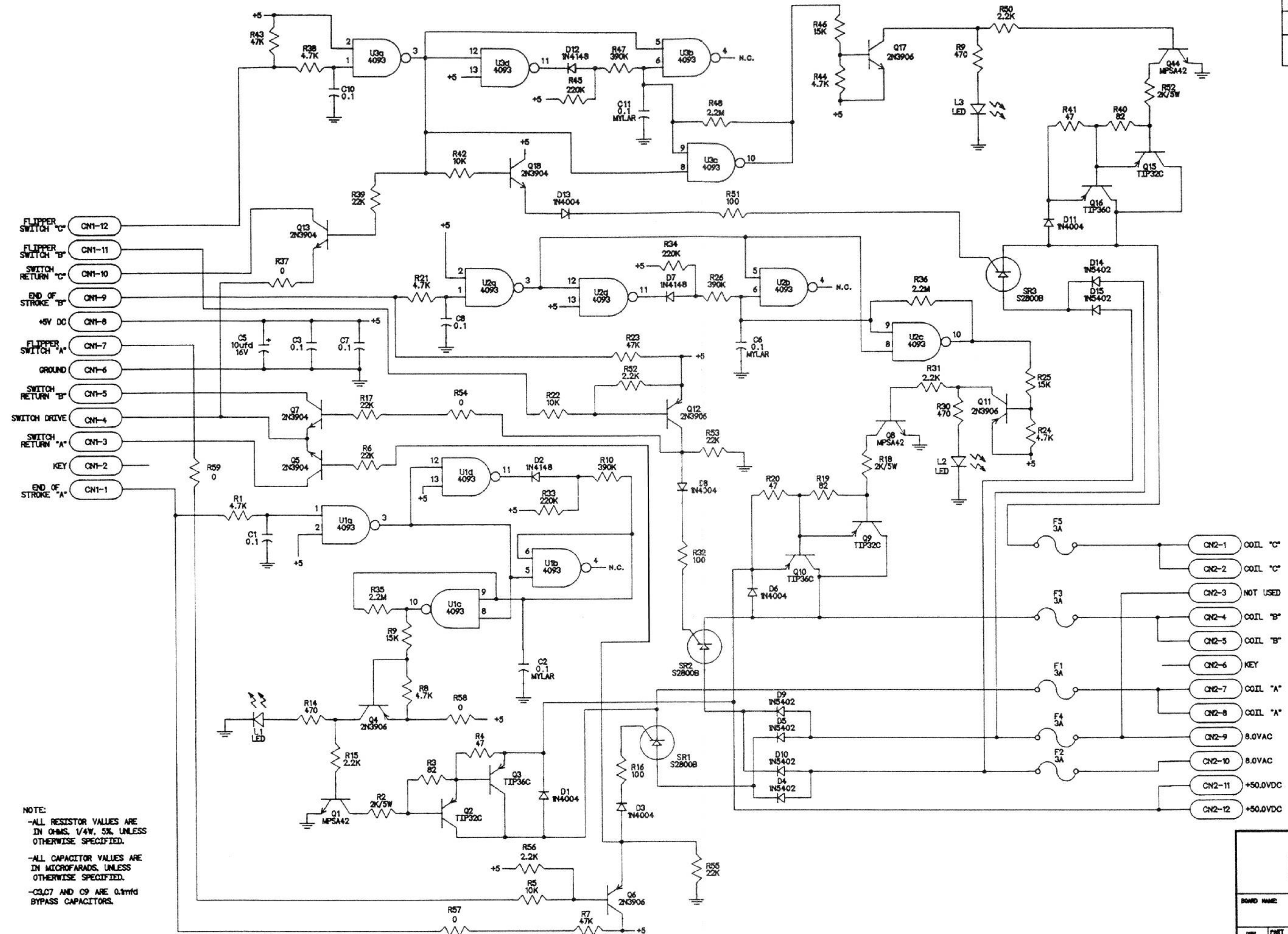


REVISIONS			
REV	DESCRIPTION	DATE	APPROVED
B	TRACE CHANGE ON artwork	3-1-93	
C	ADD END OF STROKE CONTACTS	4-23-93	



NOTE:
 -ALL RESISTOR VALUES ARE IN OHMS, 1/4W, 5% UNLESS OTHERWISE SPECIFIED.
 -ALL CAPACITOR VALUES ARE IN MICROFARADS, UNLESS OTHERWISE SPECIFIED.
 -C3,C7 AND C9 ARE 0.1mfd BYPASS CAPACITORS.

DATA EAST

BOARD NAME: SOLID STATE FLIPPER BOARD

DWG	PART NO.	PREPARED BY:	REV
D	520-5033-03	C.E.S. INC.	C
SIZE	SHEET 1 OF 1	MODEL	TYFFASI-3006