

G

F

E

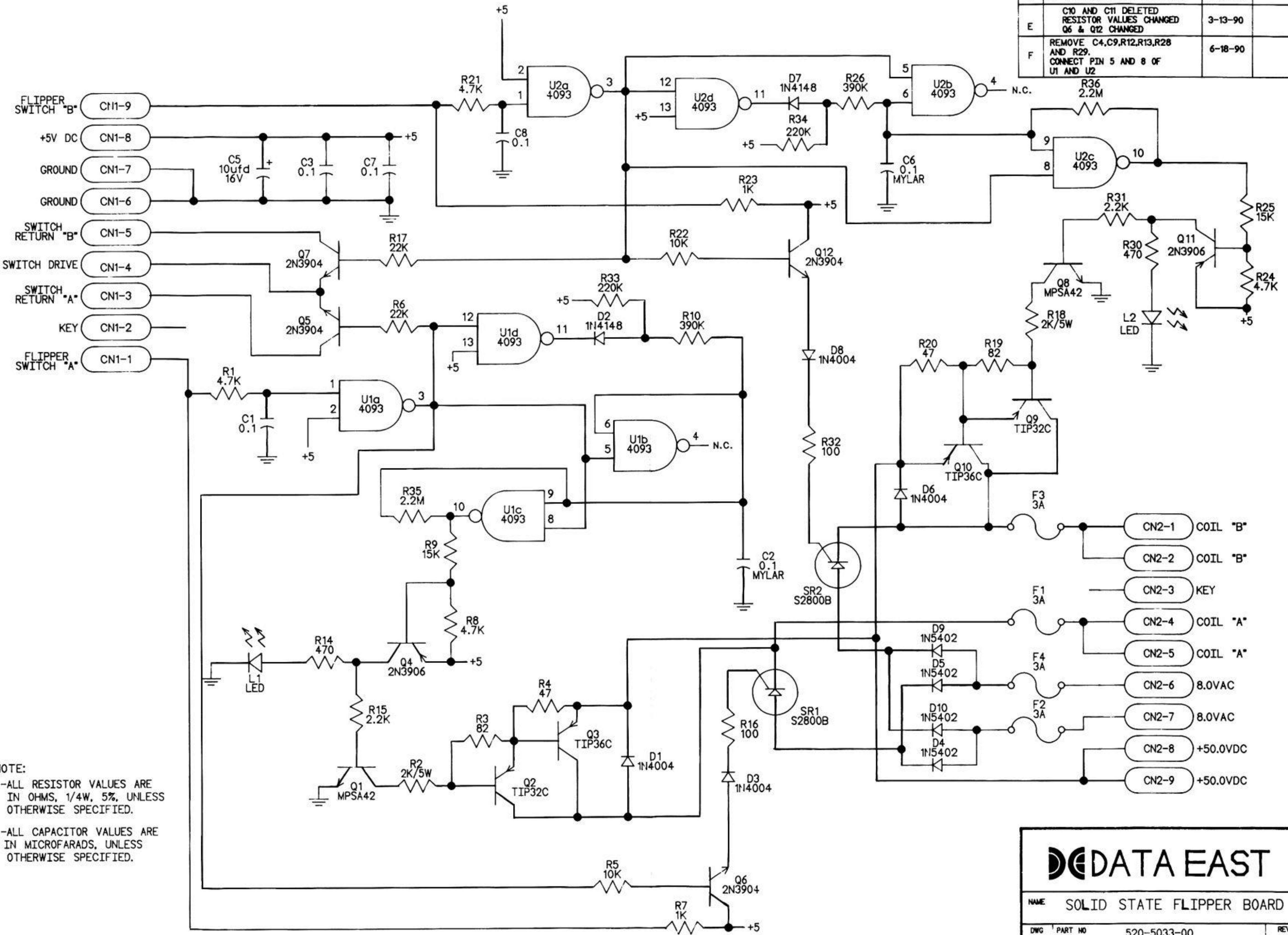
D

C

B

A

| REVISIONS |   |          |          |
|-----------|---|----------|----------|
| REV       | DESCRIPTION   | DATE     | APPROVED |
| C         | R10 AND R26 VALUES CHANGED.   | 11-30-89 |          |
| E         | C10 AND C11 DELETED<br>RESISTOR VALUES CHANGED<br>Q6 & Q12 CHANGED          | 3-13-90  |          |
| F         | REMOVE C4,C9,R12,R13,R28<br>AND R29.<br>CONNECT PIN 5 AND 8 OF<br>U1 AND U2 | 6-18-90  |          |



NOTE:  
 -ALL RESISTOR VALUES ARE IN OHMS, 1/4W, 5%, UNLESS OTHERWISE SPECIFIED.  
 -ALL CAPACITOR VALUES ARE IN MICROFARADS, UNLESS OTHERWISE SPECIFIED.

**DATA EAST**

NAME: SOLID STATE FLIPPER BOARD

|      |         |         |             |               |   |
|------|---------|---------|-------------|---------------|---|
| DWG  | C       | PART NO | 520-5033-00 | REV           | F |
| SIZE | SHEET 1 | of 1    | MODEL       | TY-FFASI-2006 |   |

G

F

E

D

C

B

A

5

4

3

2

1

5

4

3

2

1