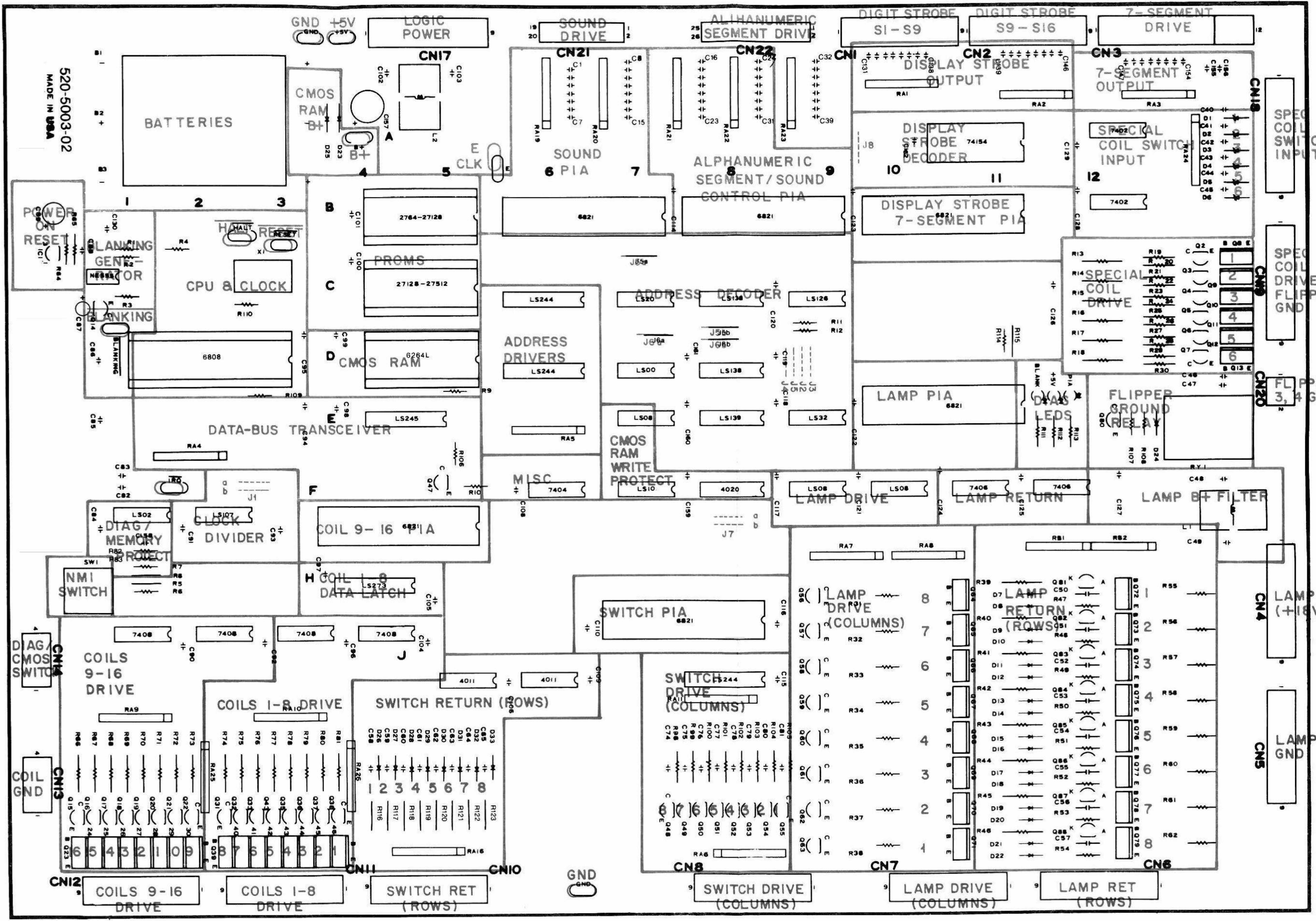
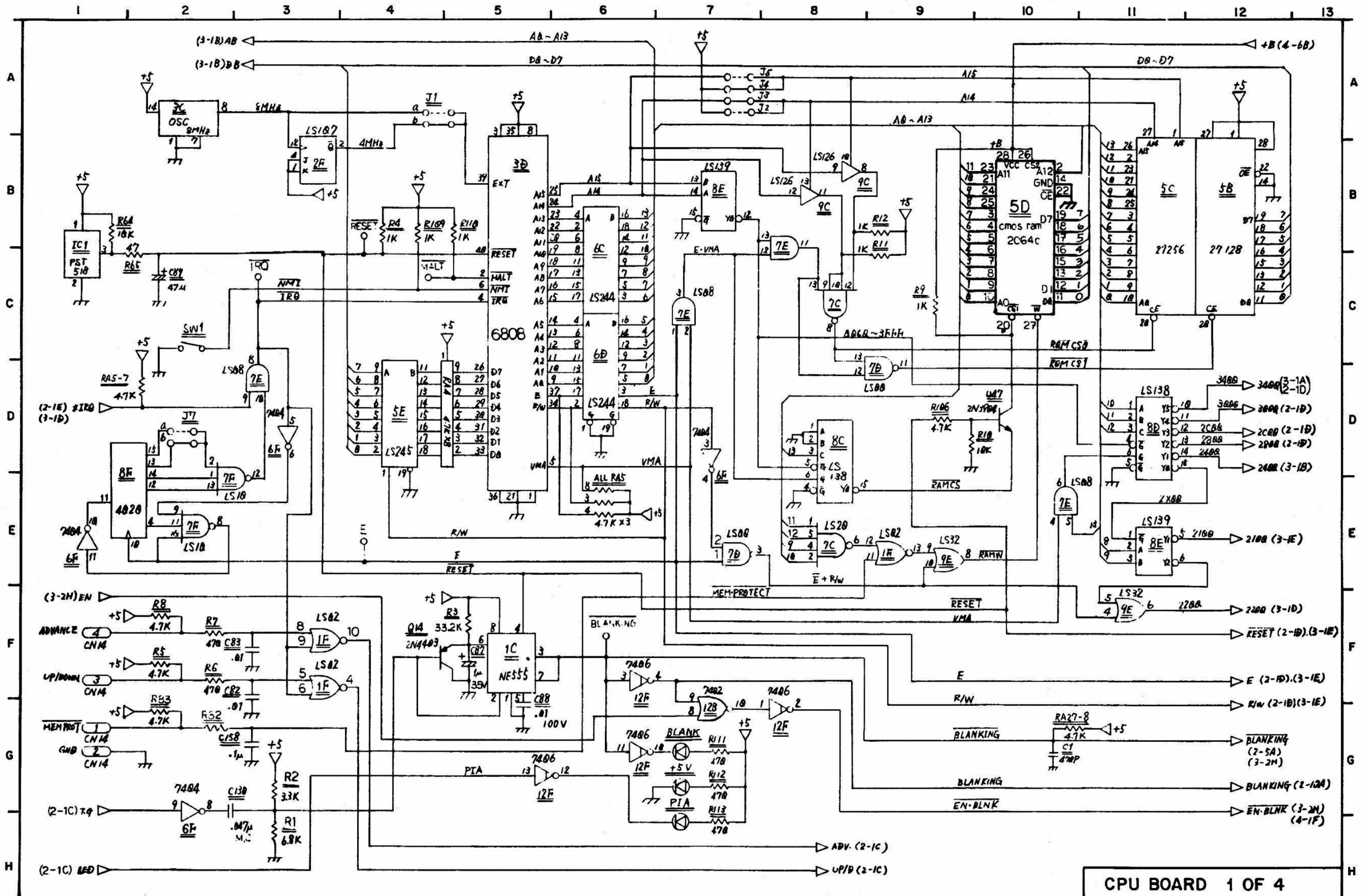


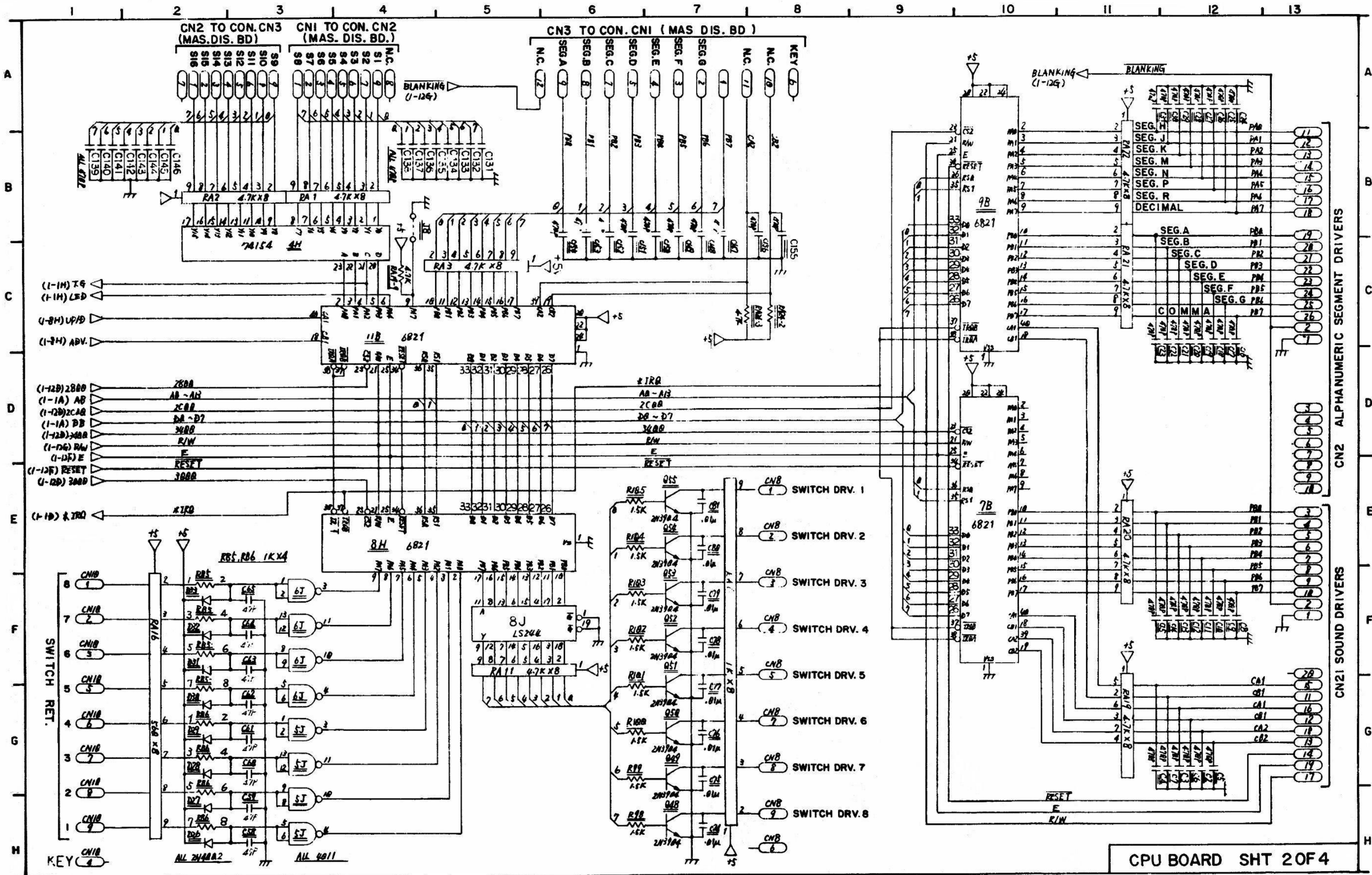
520-5003-02
MADE IN USA

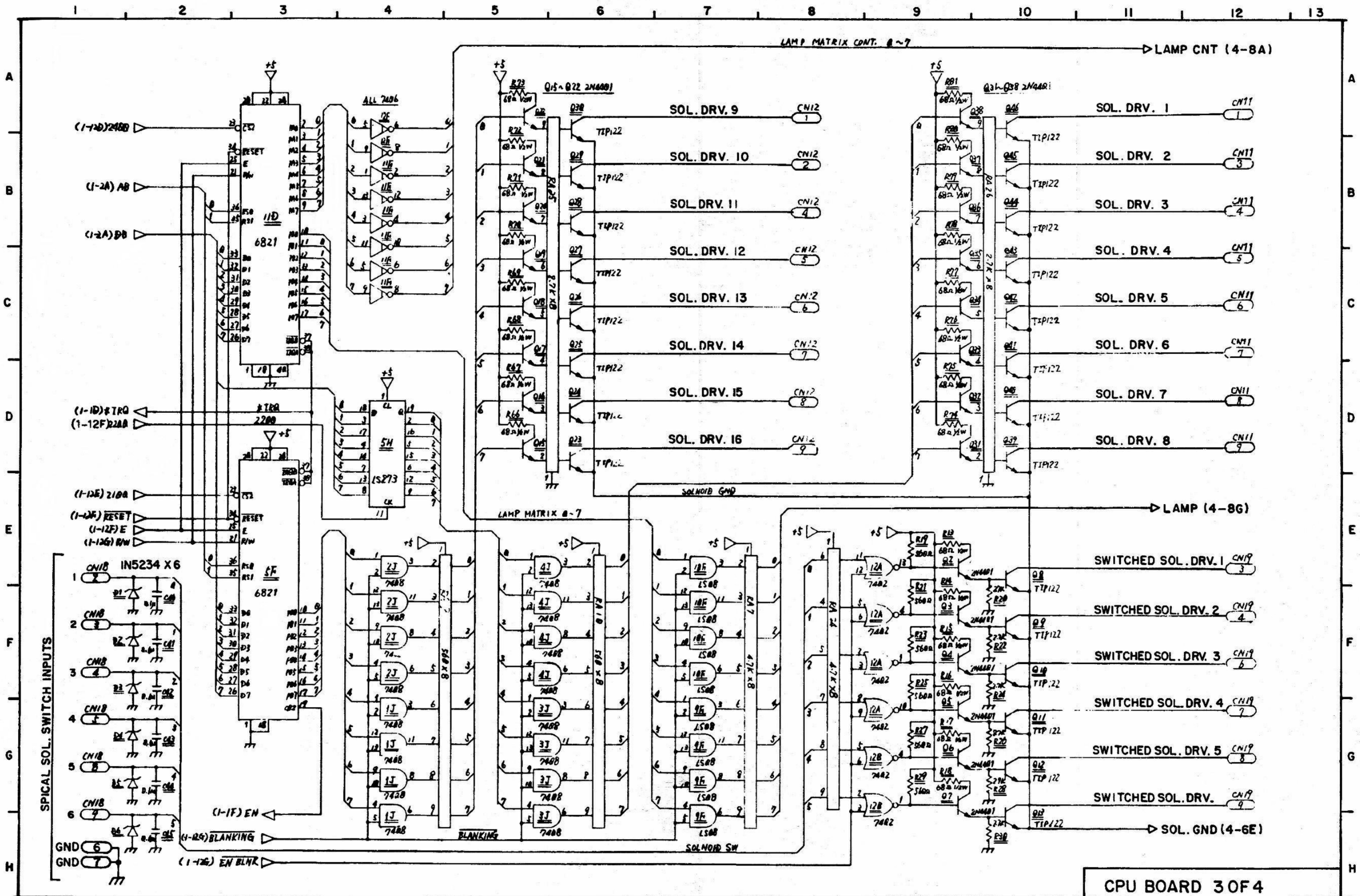


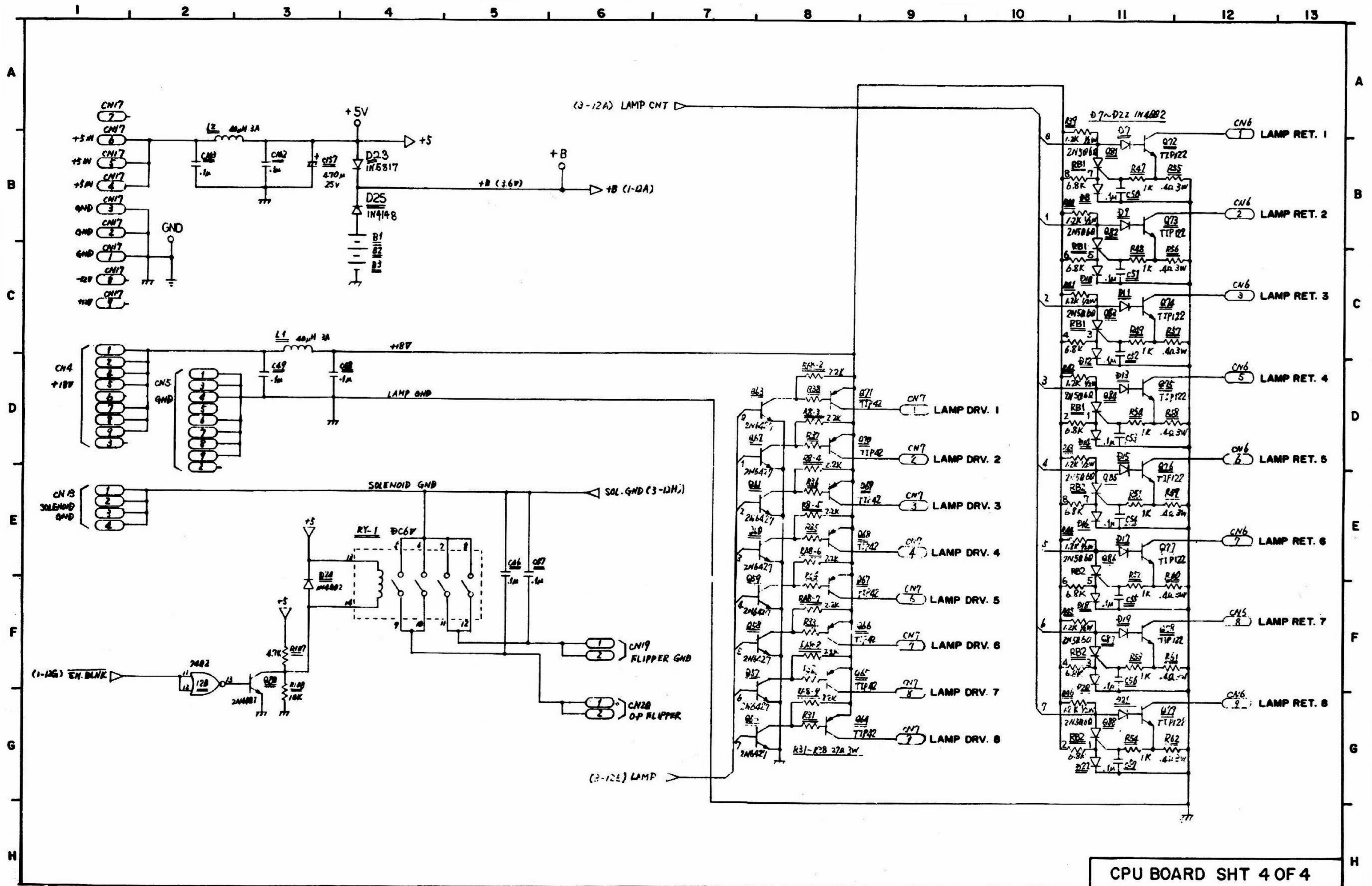
SPEC COIL SWITCH INPUT
SPECIAL COIL SWITCH INPUT
SPECIAL COIL DRIVE FLIPPER GND
FLIPPER 3, 4 GND

LAMP B+ (+18V)
LAMP GND









CPU BOARD SHT 4 OF 4