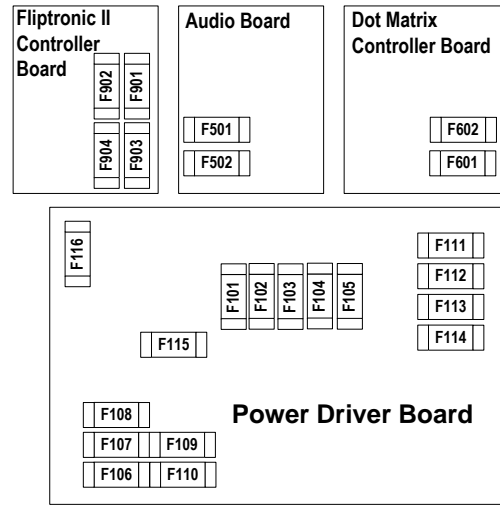


WHITE WATER (50018)

FUSE LIST

POWER DRIVER BOARD		
F101	+50V DC General (Left Flipper)	3A, 250V, SB Not Used
F102	+50V DC General (Right Flipper)	3A, 250V, SB Not Used
F103	Solenoids #25 to #28	3A, 250V, SB
F104	Solenoids #9 to #16	3A, 250V, SB
F105	Solenoids #1 to #8	3A, 250V, SB
F106	G.I. #5 White-Violet	5A, 250V, SB
F107	G.I. #4 White-Green	5A, 250V, SB
F108	G.I. #3 White-Yellow	5A, 250V, SB
F109	G.I. #2 White-Orange	5A, 250V, SB
F110	G.I. #1 White-Brown	5A, 250V, SB
F111	Flasher Secondary	5A, 250V, SB
F112	Solenoid Secondary	7A, 250V, SB
F113	+5V Logic	5A, 250V, SB
F114	+18V Lamp Matrix	8A, 32V, N.B.
F115	+12V Switch Matrix	3/4A, 250V, FB
F116	+12V Secondary	3A, 250V, SB
Audio Board		
F501	-25V Circuit	3A, 250V, SB
F502	+25V Circuit	3A, 250V, SB
Dot Matrix Controller Board		
F601	+62V Circuit	3/8A, 250V, FB
F602	-113V & -125V Circuits	3/8A, 250V, FB
LINE FILTER		
Foreign		5A, 250V, SB
Domestic		8A, 250V, SB



Fliptronic II Controller Board		
F901	Upper Right Flipper	3A, 250V, SB
F902	Upper Left Flipper	3A, 250V, SB
F903	Lower Right Flipper	3A, 250V, SB
F904	Lower Left Flipper	3A, 250V, SB

SOLENOID/FLASHER TABLE

Sol No.	Function	Solenoid Type	Voltage Connections			Drive Xistor	Drive Connections			Drive Wire Color	Solenoid Part Number Flashlamp Type	
			Playfield	Backbox	Cabinet		Playfield	Insert	Cabinet		Playfield	Insert
01	OUTHOLE	High Power	J107-3			Q82	J130-1			VIO-BRN	AE-27-1200	
02	BALL SERVE	High Power	J107-3			Q80	J130-2			VIO-RED	AE-26-1200	
03	WHIRLPOOL POPPER	High Power	J107-3			Q78	J130-4			VIO-ORG	AE-23-800	
04	LOCKUP POPPER	High Power	J107-3			Q76	J130-5			VIO-YEL	AE-23-800	
05	KICKBACK	High Power	J107-3			Q64	J130-6			VIO-GRN	AE-23-800	
06	RAMP DIVERTER	High Power	J107-3			Q66	J130-7			VIO-BLU	AE-26-1200	
07	KNOCKER	High Power	J107-3			Q68	J130-8			VIO-BLK	AE-23-800	
08	BACKGLASS (2)	High Power		J106-5		Q70		J131-5		VIO-GRY		#906 (2)
09	WET WILLIE HEAD	Low Power		J106-5		Q58		J129-1		BRN-BLK		#906
10	LEFT SLINGSHOT	Low Power	J107-2			Q56	J127-3			BRN-RED	AE-27-1200	
11	RIGHT SLINGSHOT	Low Power	J107-2			Q54	J127-4			BRN-ORG	AE-27-1200	
12	LEFT JET BUMPER	Low Power	J107-2			Q52	J127-5			BRN-YEL	AE-26-1200	
13	RIGHT JET BUMPER	Low Power	J107-2			Q50	J127-6			BRN-GRN	AE-26-1200	
14	CENTER JET BUMPER	Low Power	J107-2			Q48	J127-7			BRN-BLU	AE-26-1200	
15	BACKGLASS RAFT	Low Power		J106-5		Q46		J128-3		BRN-VIO		#906 (2)
16	BACKGLASS RIDERS	Low Power		J106-5		Q44		J128-5		BRN-GRY		#906 (2)
17	BIGFOOT BODY	Flasher	J107-6	J106-5		Q42	J126-1	J125-1		BLK-BRN	#89	#906
18	RIGHT MOUNTAINS	Flasher	J107-6	J106-5		Q40	J126-2	J125-2		BLK-RED	#89	#906
19	LEFT MOUNTAINS	Flasher	J107-6			Q38	J126-3			BLK-ORG	#89	
20	UPPER LEFT PLAYFIELD	Flasher	J107-6	J106-5		Q36	J126-4	J125-5		BLK-YEL	#89	#906
21	INSANITY FALLS	Flasher	J107-6			Q28	J126-5			BLU-GRN	#89	
22	WHIRLPOOL POPPER	Flasher	J107-6			Q30	J126-6			BLU-BLK	#89	
23	WHIRLPOOL ENTER	Flasher	J107-6			Q34	J126-7			BLU-VIO	#89	
24	BIGFOOT CAVE	Flasher	J107-6	J106-5		Q32	J126-8	J125-9		BLU-GRY	#89	#906
25	BIGFOOT DRIVE	Low Power	J107-1			Q26	J122-1			BLU-BRN	A-15680	
26	BIGFOOT ENABLE	Low Power	J118-2,3			Q24	J122-2			BLU-RED	A-15680	
27	CHASE LAMP CLOCK	Low Power		J105-4,5; J118-2,3		Q22		J123-4		BLU-ORG	A-15761	
28	CHASE LAMP DATA	Low Power		J105-4,5; J118-2,3		Q20		J123-5		BLU-YEL	A-15761	
General Illumination		Voltage Connections			Drive Xistor	Drive Connections			Drive Wire	Bulb Type		
		Playfield	Backbox	Cabinet		Playfield	Backbox	Cabinet		Playfield	Backbox	
01	PLAYFIELD UPPER	G.I.	J120-1			Q18	J121-7			WHT-BRN	#555	#555
02	PLAYFIELD CENTER	G.I.	J120-2			Q10	J121-8			WHT-ORG	#555	#555
03	PLAYFIELD LOWER	G.I.	J120-3	J121-3		Q14	J121-9	J120-9		WHT-YEL	#555	#555
04	BACKGLASS BOAT	G.I.		J121-5		Q16		J120-10		WHT-GRN	#555	#555
05	BACKGLASS SKY	G.I.		J121-6	J119-3	Q12		J120-11	J119-1	WHT-VIO		#555
Flipper Circuits		Playfield Voltage Connection		Drive Transistors Power Hold		Playfield Drive Connections		Drive Wire Colors Power Hold		Coil Part No.		Coil Colors
	LOWER LEFT FLIPPER	Flipper	J907-6, 7 (GRY-YEL)	Q3	Q9	J902-7, 9		BLU-GRY ORG-BLU	FL-15629	BLUE		
	LOWER RIGHT FLIPPER	Flipper	J907-8, 9 (BLU-YEL)	Q4	Q11	J902-11, 13		BLU-VIO ORG-GRN	FL-15629	BLUE		
	UPPER RIGHT FLIPPER	Flipper	J907-4, 5 (BLU-YEL)	Q2	Q7	J902-4, 6		BLK-BLU ORG-VOI	FL-11630	RED		

LAMP MATRIX

Column	Red				Yellow (B+)			
	1 Yellow-Brown J137-1 Q98	2 Yellow-Red J137-2 Q97	3 Yellow-Orange J137-3 Q96	4 Yellow-Black J137-4 Q95	5 Yellow-Green J137-5 Q94	6 Yellow-Blue J137-6 Q93	7 Yellow-Violet J137-7 Q92	8 Yellow-Gray J137-8 Q91
1 Red-Brown J133-1 Q90	SHOOT AGAIN 11	RIVER 1ST "R" 21	RAFT 7 31	3-BANK CENTER 41	HAZARD 1 51	RAFT 1 61	WHIRLPOOL 1 71	LIGHT EXTRA BALL 81
2 Red-Black J133-2 Q89	KICKBACK 12	RIVER "I" 22	RAFT 8 32	3-BANK LOWER 42	HAZARD 5 52	RAFT 2 62	WHIRLPOOL 2 72	ADVANCE RAFT 82
3 Red-Orange J133-4 Q88	LEFT OUTLANE 13	RIVER "V" 23	WET WILLIE 33	LOCK RELEASE 43	HAZARD 6 53	RAFT 3 63	WHIRLPOOL 3 73	MYSTERY 83
4 Red-Yellow J133-5 Q87	LEFT FLIPPER LANE 14	RIVER "E" 24	RAMP MILLIONS 34	3-BANK TOP 44	HAZARD 7 54	RAFT 4 64	WHIRLPOOL 4 74	BOLDER 5 X AWARD 84
5 Red-Green J133-6 Q86	RIGHT FLIPPER LANE 15	RIVER 2ND "R" 25	HAZARD 5 35	HAZARD 4 45	WHIRLPOOL LIT 55	RAFT 5 65	WHIRLPOOL 5 75	NOT USED 85
6 Red-Blue J133-7 Q85	RIGHT OUTLANE 16	HAZARD 3 26	LEFT LIGHT LOCK 36	RIGHT LIGHT LOCK 46	EXTRA BALL 56	RAFT 6 66	WHIRLPOOL 6 76	NOT USED 86
7 Red-Violet J133-8 Q84	LIGHTS WHIRLPOOL 17	LOCK 1 27	2 X MULTIPLIER 37	4 X MULTIPLIER 47	WHIRL CHALLENGE 57	2-BANK UPPER 67	MULTI JACKPOT 77	NOT USED 87
8 Red-Grey J133-9 Q83	6 X MULTIPLIER 18	LOCK 2 28	3 X MULTIPLIER 38	5 X MULTIPLIER 48	BOLDER MAN OVER 58	2-BANK LOWER 68	BIGFOOT JACKPOT 78	START BUTTON 88

J1XX = Power Driver Board

SWITCH MATRIX

DEDICATED GROUNDED SWITCHES	Column	White								Green
		1 Green-Brown J207-1 U20-18	2 Green-Red J207-2 U20-17	3 Green-Orange J207-3 U20-16	4 Green-Yellow J207-4 U20-15	5 Green-Black J207-5 U20-14	6 Green-Blue J207-6 U20-13	7 Green-Violet J207-7 U20-12	8 Green-Grey J207-9 U20-11	
Orange-Brown J205-1 LEFT COIN CHUTE U17-5	1 White-Brown J209-1 U18-11	NOT USED 11	SLAM TILT 21	RIVER 2ND "R" 31	LIGHT LOCK LEFT 41	LEFT SLINGSHOT 51	WHIRL POOL POPPER 61	RAPIDS RAMP MAIN 71	NOT USED 81	BLACK-GREEN J906-1 LOWER RIGHT E.O.S. SWITCH F1
Orange-Red J205-2 CENTER COIN CHUTE U17-7	2 White-Red J209-2 U18-9	NOT USED 12	COIN DOOR CLOSED 22	RIVER "E" 32	LIGHT LOCK RIGHT 42	RIGHT SLINGSHOT 52	WHIRL POOL EXIT 62	NOT USED 72	NOT USED 82	BLUE-VIOLET J905-1 LOWER RIGHT FLIPPER OPTO F2
Orange-Black J205-3 RIGHT COIN CHUTE U17-11	3 White-Orange J209-3 U18-5	START BUTTON 13	TICKET OPTO 23	RIVER "V" 33	LEFT LOOP 43	BALL SHOOTER 53	LOCKUP RIGHT 63	HOT FOOT UPPER 73	NOT USED 83	BLACK-BLUE J906-3 LOWER LEFT E.O.S. SWITCH F3
Orange-Yellow J205-4 4" COIN CHUTE U17-9	4 White-Yellow J209-4 U18-7	PLUMB BOB TILT 14	ALWAYS CLOSED 24	RIVER "I" 34	RIGHT LOOP 44	LOWER JET ARENA 54	LOCKUP CENTER 64	HOT FOOT LOWER 74	NOT USED 84	BLUE-GRAY J905-2 LOWER LEFT FLIPPER OPTO F4
Orange-Green J205-6 Normal Function Srv Crdts	5 White-Green J209-5 U19-11	OUTHOLE 15	LEFT OUTLANE 25	RIVER 1ST "R" 35	SECRET PASSAGE 45	RIGHT JET ARENA 55	LOCKUP LEFT 65	DISASTER DROP MAIN 75	NOT USED 85	BLACK-VIOLET J906-4 UPPER RIGHT E.O.S. SWITCH F5
Orange-Blue J205-7 Normal Function Volume Dn	6 White-Blue J209-7 U19-9	LEFT JET BUMPER 16	LEFT FLIPPER LANE 26	3-BANK TOP 36	LEFT RAMP ENTER 46	EXTRA BALL 56	LEFT RAMP MAIN 66	RIGHT TROUGH 76	BIGFOOT OPTO 1 86	BLACK-YELLOW J905-3 UPPER RIGHT FLIPPER OPTO F6
Orange-Violet J205-8 Normal Function Volume Up	7 White-Violet J209-8 U19-5	RIGHT JET BUMPER 17	RIGHT FLIPPER LANE 27	3-BANK CENTER 37	RAPIDS ENTER 47	CANYON MAIN 57	NOT USED 67	CENTER TROUGH 77	BIGFOOT OPTO 2 87	BLACK-GRAY J906-5 UPPER LEFT E.O.S. SWITCH F7
Orange-Grey J205-9 Normal Function Begin Test	8 White-Grey J209-9 U19-7	CENTER JET BUMPER 18	RIGHT OUTLANE 28	3-BANK LOWER 38	CANYON ENTRANCE 48	BIGFOOT CAVE 58	DISASTER DROP ENTER 68	LEFT TROUGH 78	NOT USED 88	BLACK-BLUE J905-5 UPPER LEFT FLIPPER OPTO F8

J2XX = CPU Board = OPTO, TYPICALLY CLOSED