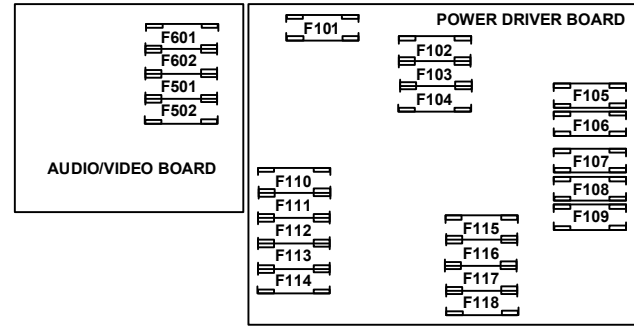


WPC-95 FUSE LIST

CAUTION: FOR CONTINUED PROTECTION AGAINST RISK OF FIRE, REPLACE ONLY WITH THE SAME TYPE OF FUSE HAVING THE SAME ELECTRICAL RATINGS.
ATTENTION: UTILISER UN FUSIBLE DE RECHARGE DE MEME TYPE.



AUDIO/VIDEO BOARD		
F501	-25V	T2.5A, 250V
F502	+25V	T2.5A, 250V
F601	+62V	T0.315A, 250V
F602	-113V & -125V	T0.315A, 250V

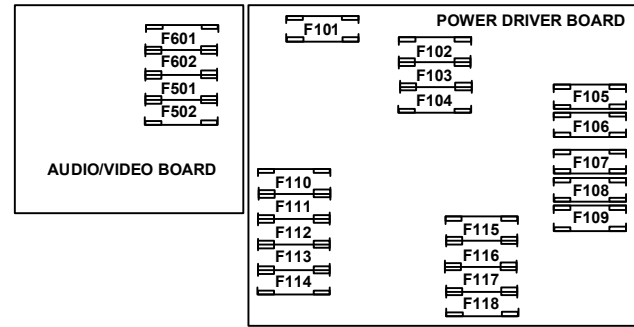
LINE FILTER		
Foreign		T4.0A, 250V
Domestic		T5.0A, 250V

POWER DRIVER BOARD		
F101	Regulated 12V	T0.63A, 250V
F102	Solenoids #25 to #28	T4.0A, 250V
F103	Solenoids #1 to #8	T4.0A, 250V
F104	Solenoids #9 to #16	T4.0A, 250V
F105	+5V Logic	T4.0A, 250V
F106	+18V Lamp Matrix	T5.0A, 250V
F107	Flasher Secondary	T4.0A, 250V
F108	Solenoid Secondary	T6.3A, 250V
F109	Unregulated 12V	T4.0A, 250V

16-10137.5		
F110	G.I. #5 White-Violet	T4.0A, 250V
F111	G.I. #4 White-Green	T4.0A, 250V
F112	G.I. #3 White-Yellow	T4.0A, 250V
F113	G.I. #2 White-Orange	T4.0A, 250V
F114	G.I. #1 White-Brown	T4.0A, 250V
F115	+50V Flippers	T4.0A, 250V
F116	+50V Flippers	T4.0A, 250V
F117	+50V Flippers	T4.0A, 250V
F118	+50V Flippers	T4.0A, 250V

WPC-95 FUSE LIST

CAUTION: FOR CONTINUED PROTECTION AGAINST RISK OF FIRE, REPLACE ONLY WITH THE SAME TYPE OF FUSE HAVING THE SAME ELECTRICAL RATINGS.
ATTENTION: UTILISER UN FUSIBLE DE RECHARGE DE MEME TYPE.



AUDIO/VIDEO BOARD		
F501	-25V	T2.5A, 250V
F502	+25V	T2.5A, 250V
F601	+62V	T0.315A, 250V
F602	-113V & -125V	T0.315A, 250V

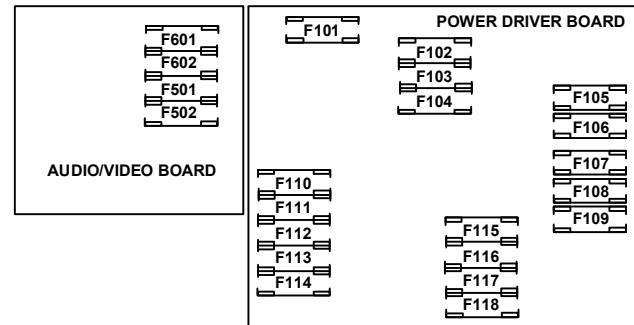
LINE FILTER		
Foreign		T4.0A, 250V
Domestic		T5.0A, 250V

POWER DRIVER BOARD		
F101	Regulated 12V	T0.63A, 250V
F102	Solenoids #25 to #28	T4.0A, 250V
F103	Solenoids #1 to #8	T4.0A, 250V
F104	Solenoids #9 to #16	T4.0A, 250V
F105	+5V Logic	T4.0A, 250V
F106	+18V Lamp Matrix	T5.0A, 250V
F107	Flasher Secondary	T4.0A, 250V
F108	Solenoid Secondary	T6.3A, 250V
F109	Unregulated 12V	T4.0A, 250V

16-10137.5		
F110	G.I. #5 White-Violet	T4.0A, 250V
F111	G.I. #4 White-Green	T4.0A, 250V
F112	G.I. #3 White-Yellow	T4.0A, 250V
F113	G.I. #2 White-Orange	T4.0A, 250V
F114	G.I. #1 White-Brown	T4.0A, 250V
F115	+50V Flippers	T4.0A, 250V
F116	+50V Flippers	T4.0A, 250V
F117	+50V Flippers	T4.0A, 250V
F118	+50V Flippers	T4.0A, 250V

WPC-95 FUSE LIST

CAUTION: FOR CONTINUED PROTECTION AGAINST RISK OF FIRE, REPLACE ONLY WITH THE SAME TYPE OF FUSE HAVING THE SAME ELECTRICAL RATINGS.
ATTENTION: UTILISER UN FUSIBLE DE RECHARGE DE MEME TYPE.



AUDIO/VIDEO BOARD		
F501	-25V	T2.5A, 250V
F502	+25V	T2.5A, 250V
F601	+62V	T0.315A, 250V
F602	-113V & -125V	T0.315A, 250V

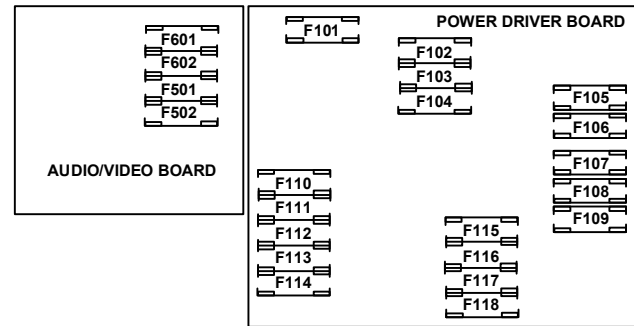
LINE FILTER		
Foreign		T4.0A, 250V
Domestic		T5.0A, 250V

POWER DRIVER BOARD		
F101	Regulated 12V	T0.63A, 250V
F102	Solenoids #25 to #28	T4.0A, 250V
F103	Solenoids #1 to #8	T4.0A, 250V
F104	Solenoids #9 to #16	T4.0A, 250V
F105	+5V Logic	T4.0A, 250V
F106	+18V Lamp Matrix	T5.0A, 250V
F107	Flasher Secondary	T4.0A, 250V
F108	Solenoid Secondary	T6.3A, 250V
F109	Unregulated 12V	T4.0A, 250V

16-10137.5		
F110	G.I. #5 White-Violet	T4.0A, 250V
F111	G.I. #4 White-Green	T4.0A, 250V
F112	G.I. #3 White-Yellow	T4.0A, 250V
F113	G.I. #2 White-Orange	T4.0A, 250V
F114	G.I. #1 White-Brown	T4.0A, 250V
F115	+50V Flippers	T4.0A, 250V
F116	+50V Flippers	T4.0A, 250V
F117	+50V Flippers	T4.0A, 250V
F118	+50V Flippers	T4.0A, 250V

WPC-95 FUSE LIST

CAUTION: FOR CONTINUED PROTECTION AGAINST RISK OF FIRE, REPLACE ONLY WITH THE SAME TYPE OF FUSE HAVING THE SAME ELECTRICAL RATINGS.
ATTENTION: UTILISER UN FUSIBLE DE RECHARGE DE MEME TYPE.



AUDIO/VIDEO BOARD		
F501	-25V	T2.5A, 250V
F502	+25V	T2.5A, 250V
F601	+62V	T0.315A, 250V
F602	-113V & -125V	T0.315A, 250V

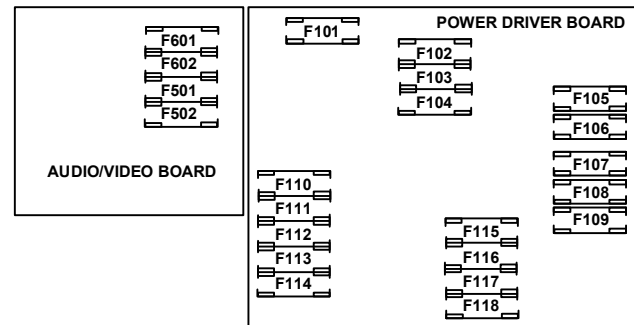
LINE FILTER		
Foreign		T4.0A, 250V
Domestic		T5.0A, 250V

POWER DRIVER BOARD		
F101	Regulated 12V	T0.63A, 250V
F102	Solenoids #25 to #28	T4.0A, 250V
F103	Solenoids #1 to #8	T4.0A, 250V
F104	Solenoids #9 to #16	T4.0A, 250V
F105	+5V Logic	T4.0A, 250V
F106	+18V Lamp Matrix	T5.0A, 250V
F107	Flasher Secondary	T4.0A, 250V
F108	Solenoid Secondary	T6.3A, 250V
F109	Unregulated 12V	T4.0A, 250V

16-10137.5		
F110	G.I. #5 White-Violet	T4.0A, 250V
F111	G.I. #4 White-Green	T4.0A, 250V
F112	G.I. #3 White-Yellow	T4.0A, 250V
F113	G.I. #2 White-Orange	T4.0A, 250V
F114	G.I. #1 White-Brown	T4.0A, 250V
F115	+50V Flippers	T4.0A, 250V
F116	+50V Flippers	T4.0A, 250V
F117	+50V Flippers	T4.0A, 250V
F118	+50V Flippers	T4.0A, 250V

WPC-95 FUSE LIST

CAUTION: FOR CONTINUED PROTECTION AGAINST RISK OF FIRE, REPLACE ONLY WITH THE SAME TYPE OF FUSE HAVING THE SAME ELECTRICAL RATINGS.
ATTENTION: UTILISER UN FUSIBLE DE RECHARGE DE MEME TYPE.



AUDIO/VIDEO BOARD		
F501	-25V	T2.5A, 250V
F502	+25V	T2.5A, 250V
F601	+62V	T0.315A, 250V
F602	-113V & -125V	T0.315A, 250V

LINE FILTER		
Foreign		T4.0A, 250V
Domestic		T5.0A, 250V

POWER DRIVER BOARD		
F101	Regulated 12V	T0.63A, 250V
F102	Solenoids #25 to #28	T4.0A, 250V
F103	Solenoids #1 to #8	T4.0A, 250V
F104	Solenoids #9 to #16	T4.0A, 250V
F105	+5V Logic	T4.0A, 250V
F106	+18V Lamp Matrix	T5.0A, 250V
F107	Flasher Secondary	T4.0A, 250V
F108	Solenoid Secondary	T6.3A, 250V
F109	Unregulated 12V	T4.0A, 250V

16-10137.5		
F110	G.I. #5 White-Violet	T4.0A, 250V
F111	G.I. #4 White-Green	T4.0A, 250V
F112	G.I. #3 White-Yellow	T4.0A, 250V
F113	G.I. #2 White-Orange	T4.0A, 250V
F114	G.I. #1 White-Brown	T4.0A, 250V
F115	+50V Flippers	T4.0A, 250V
F116	+50V Flippers	T4.0A, 250V
F117	+50V Flippers	T4.0A, 250V
F118	+50V Flippers	T4.0A, 250V