

WORLD CUP SOCCER '94

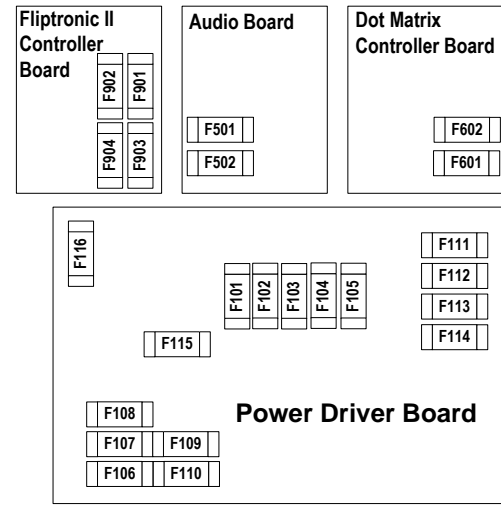
FUSE LIST

| POWER DRIVER BOARD | | |
|--------------------|---------------------------------|----------------|
| F101 | +50V DC General (Left Flipper) | 3A, 250V, SB |
| F102 | +50V DC General (Right Flipper) | 3A, 250V, SB |
| F103 | Solenoids #25 to #28 | 3A, 250V, SB |
| F104 | Solenoids #9 to #16 | 3A, 250V, SB |
| F105 | Solenoids #1 to #8 | 3A, 250V, SB |
| F106 | G.I. #5 White-Violet | 5A, 250V, SB |
| F107 | G.I. #4 White-Green | 5A, 250V, SB |
| F108 | G.I. #3 White-Yellow | 5A, 250V, SB |
| F109 | G.I. #2 White-Orange | 5A, 250V, SB |
| F110 | G.I. #1 White-Brown | 5A, 250V, SB |
| F111 | Flasher Secondary | 5A, 250V, SB |
| F112 | Solenoid Secondary | 7A, 250V, SB |
| F113 | +5V Logic | 5A, 250V, SB |
| F114 | +18V Lamp Matrix | 8A, 32V, N.B. |
| F115 | +12V Lamp Matrix | 3/4A, 250V, FB |
| F116 | +12V Secondary | 3A, 250V, SB |

| Audio Board | | |
|-------------|------|--------------|
| F501 | -25V | 3A, 250V, SB |
| F502 | +25V | 3A, 250V, SB |

| Dot Matrix Controller Board | | |
|-----------------------------|---------------|----------------|
| F601 | +62V | 3/8A, 250V, FB |
| F602 | -113V & -125V | 3/8A, 250V, FB |

| LINE FILTER | | |
|-------------|--|--------------|
| Foreign | | 5A, 250V, SB |
| Domestic | | 8A, 250V, SB |



| Fliptronic II Controller Board | | |
|--------------------------------|---------------------|--------------|
| F901 | Upper Right Flipper | 3A, 250V, SB |
| F902 | Upper Left Flipper | 3A, 250V, SB |
| F903 | Lower Right Flipper | 3A, 250V, SB |
| F904 | Lower Left Flipper | 3A, 250V, SB |

SOLENOID/FLASHER TABLE

| Sol No. | Function | Solenoid Type | Voltage Connections | | | Drive Xistor | Drive Connections | | | Drive Wire Color | Solenoid Part Number Flashlamp Type | |
|---------|------------------------|---------------|---------------------|---------|---------|--------------|-------------------|--------|---------|------------------|-------------------------------------|-----------|
| | | | Playfield | Backbox | Cabinet | | Playfield | Insert | Cabinet | | Playfield | Insert |
| 01 | Goal Popper | High Power | J107-2 | | | Q82 | J130-1 | | | VIO-BRN | AE-23-800 | |
| 02 | TV Popper | High Power | J107-2 | | | Q80 | J130-2 | | | VIO-RED | AE-26-1500 | |
| 03 | Kickback | High Power | J107-2 | | | Q78 | J130-4 | | | VIO-ORG | AE-23-800 | |
| 04 | Lock Release | High Power | J107-2 | | | Q76 | J130-5 | | | VIO-YEL | AE-26-1500 | |
| 05 | Upper Eject Hole | High Power | J107-2 | | | Q64 | J130-6 | | | VIO-GRN | AE-26-1200 | |
| 06 | Trough | High Power | J107-2 | | | Q66 | J130-7 | | | VIO-BLU | AE-26-1500 | |
| 07 | Knocker | High Power | | J107-2 | | Q68 | | J130-8 | | VIO-BLK | | AE-23-800 |
| 08 | Ramp Diverter | High Power | J107-2 | | | Q70 | J130-9 | | | VIO-GRY | FL-11753-1 | |
| 09 | Left Jet Bumper | Low Power | J107-3 | | | Q58 | J127-1 | | | BRN-BLK | AE-26-1200 | |
| 10 | Upper Jet Bumper | Low Power | J107-3 | | | Q56 | J127-3 | | | BRN-RED | AE-26-1200 | |
| 11 | Lower Jet Bumper | Low Power | J107-3 | | | Q54 | J127-4 | | | BRN-ORG | AE-26-1200 | |
| 12 | Left Slingshot | Low Power | J107-3 | | | Q52 | J127-5 | | | BRN-YEL | AE-26-1200 | |
| 13 | Right Slingshot | Low Power | J107-3 | | | Q50 | J127-6 | | | BRN-GRN | AE-26-1200 | |
| 14 | Right Eject Hole | Low Power | J107-3 | | | Q48 | J127-7 | | | BRN-BLU | AE-26-1200 | |
| 15 | Left Eject Hole | Low Power | J107-3 | | | Q46 | J127-8 | | | BRN-VIO | AE-26-1200 | |
| 16 | Diverter Hold | Low Power | J107-3 | | | Q44 | J127-9 | | | BRN-GRY | FL11753-1 | |
| 17 | Ramp Center | Flasher | J107-6 | J106-5 | | Q42 | J126-1 | J125-1 | | BLK-BRN | #906 | #906 |
| 18 | Goal | Flasher | J107-6 | J106-5 | | Q40 | J126-2 | J125-2 | | BLK-RED | #89, #906 | #906 |
| 19 | Skill Shot | Flasher | J107-6 | J106-5 | | Q38 | J126-3 | J125-3 | | BLK-ORG | #906 | #906 |
| 20 | Jet Bumpers | Flasher | J107-6 | J106-5 | | Q36 | J126-4 | J125-5 | | BLK-YEL | #89 | #906 |
| 21 | Goalie Drive | Flasher | J116-2 | | | Q28 | J126-5 | | | BLU-GRN | 14-7997 * | |
| 22 | Spinning Ball | Flasher | J107-6 | | | Q30 | J126-6 | | | BLU-BLK | #89 | |
| 23 | Ball Clockwise | Flasher | J116-2 | | | Q34 | J126-7 | | | BLU-VIO | 14-7996 * | |
| 24 | Ball Counter-Clockwise | Flasher | J116-2 | | | Q32 | J126-8 | | | BLU-GRY | 14-7996 * | |
| 25 | Left Ramp Entrance | Gen. Purpose | J107-6 | J106-5 | | Q26 | J122-1 | J124-1 | | BLU-BRN | #89 | #906 |
| 26 | Lock Area | Gen. Purpose | J107-6 | J106-5 | | Q24 | J122-2 | J124-2 | | BLU-RED | #906 | #906 |
| 27 | Flipper Lanes | Gen. Purpose | J107-6 | J106-5 | | Q22 | J122-3 | J124-3 | | BLU-ORG | #89 (2) | #906 |
| 28 | Ramp Rear | Gen. Purpose | J107-6 | J106-5 | | Q20 | J122-4 | J124-5 | | BLU-YEL | #906 (2) | #906 |

| General Illumination | | Voltage Connections | | | Drive Xistor | Drive Connections | | | Drive Wire | Bulb Type | |
|----------------------|-------------------|---------------------|--------|---------|--------------|-------------------|---------|---------|------------|-----------|--------|
| | | Playfield | Insert | Cabinet | | Playfield | Insert | Cabinet | | Playfield | Insert |
| 01 | Playfield Left | G.I. | J121-1 | | Q18 | J121-7 | | | WHT-BRN | #44, #555 | |
| 02 | Playfield Right | G.I. | J121-2 | | Q10 | J121-8 | | | WHT-ORG | #44, #555 | |
| 03 | Insert Background | G.I. | | J120-3 | Q14 | | J120-9 | | WHT-YEL | | #555 |
| 04 | Insert Title | G.I. | | J120-5 | Q16 | | J120-10 | | WHT-GRN | | #555 |
| 05 | Playfield Top | G.I. | J121-6 | | Q12 | J121-11 | | J119-3 | WHT-VIO | #555 | |

| Flipper Circuits | | Power | Playfield Voltage Connection | Drive Transistors Power | Hold | Playfield Drive Connections | | Drive Wire Colors | Coil Part No. | Coil Colors |
|------------------|---------------------|-------|------------------------------|-------------------------|------|-----------------------------|-------------------|-------------------|---------------|-------------|
| | | | | | | Playfield | Drive Connections | | | |
| 29 | LOWER RIGHT FLIPPER | | J907-1 (RED-GRN) | Q4 | | J902-13 | YEL-GRN | | FL-11629 | BLUE |
| 30 | | | J907-1 (RED-GRN) | | Q11 | J902-11 | ORG-GRN | | | |
| 31 | LOWER LEFT FLIPPER | | J907-4 (RED-BLU) | Q3 | | J902-9 | YEL-BLU | | FL-11629 | BLUE |
| 32 | | | J907-4 (RED-BLU) | | Q9 | J902-7 | ORG-BLU | | | |
| 33 | Magna Goalie | | J907-6 (RED-VIO) | Q2 | | J902-6 | YEL-VIO | | 20-9247 | |
| 34 | Loop Gate | | J907-6 (RED-VIO) | | Q7 | J902-4 | ORG-VIO | | A-14406 | |
| 35 | Lock Magnet | | J907-8 (RED-GRY) | Q1 | | J902-3 | YEL-GRY | | 20-9247 | |
| 36 | Not Used | | J907-8 (RED-GRY) | | Q5 | J920-1 | ORG-GRY | | | |

J1xx = Power Driver Board

J9xx = Fliptronic II Board

LAMP MATRIX

| Column | Row | Yellow (B+) → Red | | | | | | | |
|-------------------------|---------------------|---------------------------|-------------------------|----------------------------|---------------------------|---------------------------|--------------------------|----------------------------|--------------------------|
| | | 1 Yellow-Brown J137-1 Q98 | 2 Yellow-Red J137-2 Q97 | 3 Yellow-Orange J137-3 Q96 | 4 Yellow-Black J137-4 Q95 | 5 Yellow-Green J137-5 Q94 | 6 Yellow-Blue J137-6 Q93 | 7 Yellow-Violet J137-7 Q92 | 8 Yellow-Grey J137-9 Q91 |
| 1 Red-Brown J133-1 Q90 | Chicago "P" | 11 | 21 | 31 | 41 | 51 | 61 | 71 | 81 |
| 2 Red-Black J133-2 Q89 | Dallas "U" | 12 | 22 | 32 | 42 | 52 | 62 | 72 | 82 |
| 3 Red-Orange J133-4 Q88 | Boston "C" | 13 | 23 | 33 | 43 | 53 | 63 | 73 | 83 |
| 4 Red-Yellow J133-5 Q87 | New York "D" | 14 | 24 | 34 | 44 | 54 | 64 | 74 | 84 |
| 5 Red-Green J133-6 Q86 | Orlando "L" | 15 | 25 | 35 | 45 | 55 | 65 | 75 | 85 |
| 6 Red-Blue J133-7 Q85 | Washington D.C. "R" | 16 | 26 | 36 | 46 | 56 | 66 | 76 | 86 |
| 7 Red-Violet J133-8 Q84 | San Francisco "O" | 17 | 27 | 37 | 47 | 57 | 67 | 77 | 87 |
| 8 Red-Grey J133-9 Q83 | Detroit "W" | 18 | 28 | 38 | 48 | 58 | 68 | 78 | 88 |

J1XX = Power Driver Board

SWITCH MATRIX

| DEDICATED GROUNDED SWITCHES | Column | Row | White → Green | | | | | | | | |
|--|--------|-----------------------------|-----------------------------|---------------------------|------------------------------|------------------------------|-----------------------------|----------------------------|------------------------------|----------------------------|--|
| | | | 1 Green-Brown J207-1 U20-18 | 2 Green-Red J207-2 U20-17 | 3 Green-Orange J207-3 U20-16 | 4 Green-Yellow J207-4 U20-15 | 5 Green-Black J207-5 U20-14 | 6 Green-Blue J207-6 U20-13 | 7 Green-Violet J207-7 U20-12 | 8 Green-Grey J207-9 U20-11 | |
| Orange-Brown J205-1 LEFT COIN CHUTE U17-5 | D1 | 1 White-Brown J209-1 U18-11 | Not Used | Slam Tilt | Trough 1 (Right) | Goal Trough | Skill Shot Front | Rollover 1 (High) | Left Ramp Diverter | Left Jet Bumper | Black-Green J906-1 Lower Right Flipper E.O.S. |
| Orange-Red J205-2 CENTER COIN CHUTE U17-7 | D2 | 2 White-Red J209-2 U18-9 | Magna Goalie Button | Coin Door Closed | Trough 2 | Goal Popper Opto | Skill Shot Center | Rollover 2 | Left Ramp Entrance | Upper Jet Bumper | Black-Violet J905-1 Lower Right Flipper Opto |
| Orange-Black J205-3 RIGHT COIN CHUTE U17-11 | D3 | 3 White-Orange J209-3 U18-5 | Start Button | Buy Extra Ball | Trough 3 | Goalie Is Left | Skill Shot Rear | Rollover 3 | Not Used | Lower Jet Bumper | Black-Blue J906-3 Lower Left Flipper E.O.S. |
| Orange-Yellow J205-4 4TH COIN CHUTE U18-9 | D4 | 4 White-Yellow J209-4 U18-7 | Plumb Bob Tilt | Always Closed | Trough 4 | Goalie Is Right | Right Eject Hole | Rollover 4 (Low) | Left Ramp Exit | Left Slingshot | Black-Gray J905-2 Lower Left Flipper Opto |
| Orange-Green J205-6 Normal Function Srv Crdts | D5 | 5 White-Green J209-5 U19-11 | Left Flipper Lane | Free Kick Target | Trough 5 (Left) | TV Ball Popper | Upper Eject Hole | Tackle Switch | Right Ramp Entrance | Right Slingshot | Black-Violet J906-4 Upper Right Flipper E.O.S. |
| Orange-Blue J205-7 Normal Function Volume Dn | D6 | 6 White-Blue J209-7 U19-9 | Striker 3 (High) | Kickback Upper | Trough Stack | Not Used | Left Eject Hole | Striker 1 (Left) | Lock Mech. Low | Kickback | Black-Yellow J905-3 Upper Right Flipper Opto |
| Orange-Violet J205-8 Normal Function Volume Up | D7 | 7 White-Violet J209-8 U19-5 | Right Return Lane | Spinner | Light Magna Goalie | Travel Lane Rollover | Not Used | Striker 2 (Center) | Lock Mech. High | Upper Left Lane | Black-Gray J906-5 Upper Left Flipper E.O.S. |
| Orange-Grey J205-9 Normal Function Begin Test | D8 | 8 White-Grey J209-9 U19-7 | Right Outlane | Light Kickback | Ball Shooter | Goalie Target | Not Used | Not Used | Right Ramp Exit | Upper Right Lane | Black-Blue J905-5 Upper Left Flipper Opto |

J2XX = CPU Board; J9XX = Fliptronic II Board

Yellow = OPTO, TYPICALLY CLOSED

www.inkochito.nl