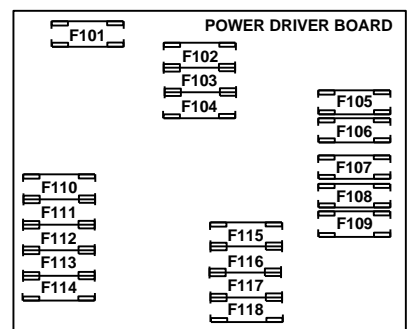
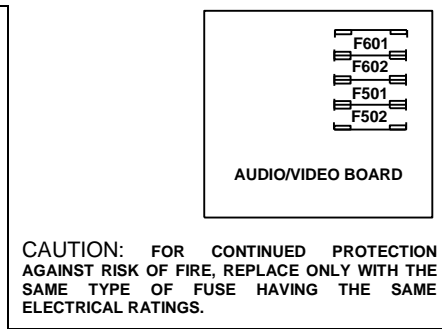


SCARED STIFF (50048)

FUSE LIST

POWER DRIVER BOARD		
F101	Regulated 12V	T0.63A, 250V
F102	Solenoids #25 to #18	T4.0A, 250V
F103	Solenoids #1 to #8	T4.0A, 250V
F104	Solenoids #9 to #16	T4.0A, 250V
F105	+5V Logic	T4.0A, 250V
F106	+18V Lamp Matrix	T5.0A, 250V
F107	Flasher Secondary	T4.0A, 250V
F108	Solenoid Secondary	T6.3A, 250V
F109	Unregulated 12V	T4.0A, 250V
F110	G.I. #5 White-Violet	T4.0A, 250V
F111	G.I. #4 White-Green	T4.0A, 250V
F112	G.I. #3 White-Yellow	T4.0A, 250V
F113	G.I. #2 White-Orange	T4.0A, 250V
F114	G.I. #1 White-Brown	T4.0A, 250V
F115	+50V Flippers	T4.0A, 250V
F116	+50V Flippers	T4.0A, 250V
F117	+50V Flippers	T4.0A, 250V
F118	+50V Flippers	T4.0A, 250V



CAUTION: FOR CONTINUED PROTECTION AGAINST RISK OF FIRE, REPLACE ONLY WITH THE SAME TYPE OF FUSE HAVING THE SAME ELECTRICAL RATINGS.

AUDIO/VIDEO BOARD		
F501	-25V	T2.5A, 250V
F502	+25V	T2.5A, 250V
F601	+62V	T0.25A, 250V
F602	-113V & -125V	T0.25A, 250V

LINE FILTER	
Foreign	T4.0A, 250V
Domestic	T5.0A, 250V

SOLENOID/FLASHER TABLE

Sol No.	Function	Solenoid Type	Voltage Connections			Drive Xistor	Drive Connections			Drive Wire Color	Solenoid/Flashlamp	
			Playfield	Backbox	Cabinet		Playfield	Backbox	Cabinet		Playfield	Backbox
01	AUTO PLUNGER	High Power	J133-2			Q72	J116-1			VIO-BRN	AE-23-800	
02	LOOP GATE	High Power	J133-2			Q68	J116-2			VIO-RED	A-14406	
03	RIGHT POPPER	High Power	J133-2			Q71	J116-4			VIO-ORG	AE-24-900	
04	COFFING POPPER	High Power	J133-2			Q67	J116-5			VIO-YEL	AE-23-800	
05	COFFIN DOOR	High Power	J133-2			Q70	J116-6			VIO-GRN	AE-26-1500	
06	CRATE KICKOUT	High Power	J133-2			Q66	J116-7			VIO-BLU	AE-24-900	
07	* KNOCKER	High Power		J133-2		Q69		J116-8		VIO-BLK		AE-23-800
08	CRATE POST POWER	High Power	J133-2			Q65	J116-9			VIO-GRY	FL-11629	
09	TROUGH EJECT	Low Power	J133-3			Q44	J113-1			BRN-BLK	AE-26-1500	
10	LEFT SLINGSHOT	Low Power	J133-3			Q48	J113-3			BRN-RED	AE-25-1000	
11	RIGHT SLINGSHOT	Low Power	J133-3			Q43	J113-4			BRN-ORG	AE-25-1000	
12	CENTER JET BUMPER	Low Power	J133-3			Q47	J113-5			BRN-YEL	AE-26-1200	
13	UPPER JET BUMPER	Low Power	J133-3			Q42	J113-6			BRN-GRN	AE-26-1200	
14	LOWER JET BUMPER	Low Power	J133-3			Q46	J113-7			BRN-BLU	AE-26-1200	
15	UPPER SLINGSHOT	Low Power	J133-3			Q41	J113-8			BRN-VIO	AE-26-1200	
16	CRATE POST HOLD	Low Power	J133-2			Q45	J114-9			BRN-GRY	FL-11629	
17	TOP JET FLASHER	Flasher	J133-6	J134-5		Q28	J111-1	J112-1		BLK-BRN	#555	#89
18	MIDDLE LEFT FLASHER	Flasher	J133-6	J134-5		Q32	J111-2	J112-2		BLK-RED	#555	#89
19	LOWER JET FLASHER	Flasher	J133-6	J134-5		Q27	J111-3	J112-3		BLK-ORG	#555	#89
20	PLAYFIELD BOLTS	Flasher	J133-6			Q31	J111-4			BLK-YEL	#89 (2)	
21	SKULL FLASHER LEFT	Flasher	J133-6			Q26	J111-5			BLU-GRN	#906	
22	UPPER RIGHT FLASHER	Flasher	J134-6			Q30	J111-6			BLU-BLK	#906	
23	LEFT RAMP FLASHER	Flasher	J134-6			Q25	J111-7			BLU-VIO	#906	
24	CENTER LEFT FLASHER	Flasher	J133-6			Q29	J111-8			BLU-GRY	#906	
25	SKULL FLASHER RIGHT	Gen. Purpose	J133-6			Q16	J109-1			BLU-BRN	#906	
26	CENTER TV	Gen. Purpose	J133-6	J134-5		Q15	J109-2	J107-3		BLU-RED	#906	#89
27	UPPER LEFT FLASHER	Gen. Purpose	J133-6			Q14	J109-3			BLU-ORG	#906	
28	CENTER RIGHT FLASHER	Gen. Purpose	J133-6			Q13	J109-4			BLU-YEL	#906	
33	LEFT DIVERTER POWER	High Power	J119-6,7			Q84	J120-6			YEL-VIO	A-20099	
34	LEFT DIVERTER HOLD	Low Power	J119-6,7			Q86	J120-4			ORG-VIO	A-20099	
35	LOWER LEFT FLASHER	High Power	J133-6			Q81	J120-3			YEL-GRY	#906	
36	LOWER RIGHT FLASHER	Low Power	J133-6			Q83	J120-1			ORG-GRY	#906	
37	**AUX LAMP CLOCK	L.P.D.C.	J141-2				J110-1			BRN-WHT	A-20781	
38	**AUX LAMP DATA	L.P.D.C.	J141-2				J110-3			ORG-WHT	A-20781	
39	*SPIDER WHEEL 1 (1.8V)	L.P.D.C.		J141-2				J110-4		YEL-WHT		14-8024
40	*SPIDER WHEEL 2 (1.8V)	L.P.D.C.		J141-2				J110-5		GRN-WHT		14-8024

General Illumination

01	UPPER PLAYFIELD	G.I.	J105-1			Q5	J105-7			WHT-BRN	#44	
02	CENTER PLAYFIELD	G.I.	J105-2			Q4	J105-8			WHT-ORG	#44	
03	LOWER PLAYFIELD	G.I.	J105-3			Q3	J105-9			WHT-YEL	#44	
04	+ILLUMINATION STRING 4	G.I.		J106-7		-		J106-10		WHT-GRN		#44
05	+ILLUMINATION STRING 5	G.I.		J106-6		-		J106-11		WHT-VIO		#44

Flipper Circuits

Sol No.	Function	Power	Voltage Connection		Drive Xistors		Drive Connections		Drive Wire Colors		Coil Part No.	Coil Colors
			Playfield	Backbox	Power	Hold	Playfield	Backbox	Power	Hold		
29	LOWER RIGHT FLIPPER	Power	J119-1 (RED-GRN)		Q90		J120-13		YEL-GRN		FL-11629	BLUE
30		Hold	J119-1 (RED-GRN)			Q92		J120-11		ORG-GRN		
31	LOWER LEFT FLIPPER	Power	J119-4 (RED-BLU)		Q87		J120-9		YEL-BLU		FL-11629	BLUE
32		Hold	J119-4 (RED-BLU)			Q89		J120-7		ORG-BLU		
33	LEFT DIVERTER	Power	J119-6 (RED-VIO)		Q84		J120-6		YEL-VIO		A-20099	ORANGE
34		Hold	J119-6 (RED-VIO)			Q86		J120-4		ORG-VIO		
35	LOWER LEFT FLASHER	Power	J119-8 (RED-GRY)		Q81		J120-3		YEL-GRY		#906	
36	LOWER RIGHT FLASHER	Hold	J119-8 (RED-GRY)			Q83	J120-1		ORG-GRY		#906	

J1xx = Power Driver Board; L.P.D.C = Lower Power Device Controls
 + These G.I. strings do not brighten and dim, they are always ON. * Located in Backbox ** Located under Playfield

LAMP MATRIX

Column	Row	1	2	3	4	5	6	7	8
		Yellow-Brown J121-1 Q96	Yellow-Red J121-2 Q100	Yellow-Orange J121-3 Q95	Yellow-Black J121-4 Q99	Yellow-Green J121-5 Q94	Yellow-Blue J121-6 Q98	Yellow-Violet J121-7 Q93	Yellow-Grey J121-8 Q97
1	Red-Brown J125-1 Q104	STIFF LEVEL 7	STIFF LEVEL 8	CRATE LEFT EYE	LEFT LEAPER	RAMP ITEM	LABORATORY ITEM	WEB AWARD 7	WEB AWARD 15
2	Red-Black J125-2 Q108	STIFF LEVEL 6	STIFF LEVEL 9	CRATE CENTER LEFT	LEFT RAMP JACKPOT	COFFIN MULTIBALL ITEM	CRATE ITEM	WEB AWARD 8	WEB AWARD 16
3	Red-Orange J125-4 Q103	STIFF LEVEL 5	SCARED STIFF	CRATE CENTER RIGHT	LIGHT LOCK	LEAPER ITEM	SKULL ITEM	WEB AWARD 9	WEB AWARD 1
4	Red-Yellow J125-5 Q107	STIFF LEVEL 4	CENTER LEAPER	CRATE RIGHT EYE	RAMP RIGHT EYE	COFFIN SPOTLIGHT	WEB AWARD 2	WEB AWARD 10	LEFT SKULL LANE
5	Red-Green J125-6 Q102	STIFF LEVEL 3	THREE BANK LOWER	LEFT OUTLANE	RIGHT OUTLANE	SHOOT AGAIN	WEB AWARD 3	WEB AWARD 11	CENTER SKULL LANE
6	Red-Blue J125-7 Q106	STIFF LEVEL 2	THREE BANK MIDDLE	RIGHT LEAPER	SKILL SHOT	LOCK LAMP	WEB AWARD 4	WEB AWARD 12	RIGHT SKULL LANE
7	Red-Violet J125-8 Q101	STIFF LEVEL 1	THREE BANK UPPER	RIGHT RAMP JACKPOT	CRATE JACKPOT	LEFT LOOP CENTER	WEB AWARD 5	WEB AWARD 13	BUY IN
8	Red-Grey J125-9 Q105	RAMP LEFT EYE	SPIDER POPPER	LIGHT SPIN SPIDER	EXTRA BALL	LEFT LOOP UPPER	WEB AWARD 6	WEB AWARD 14	START BUTTON

J1XX = Power Driver Board

SWITCH MATRIX

DEDICATED GROUNDED SWITCHES	Column	Row	1	2	3	4	5	6	7	8	FLIPPER GROUNDED SWITCHES	
			Green-Brown J206-1 U20-18	Green-Red J206-2 U20-17	Green-Orange J206-3 U20-16	Green-Yellow J206-4 U20-15	Green-Black J206-5 U20-14	Green-Blue J206-6 U20-13	Green-Violet J206-7 U20-12	Green-Grey J206-9 U20-11		
Orange-Brown J205-1 LEFT COIN CHUTE U17-5	D1	1	White-Brown J208-1 U18-11	NOT USED	SLAM TILT	TROUGH EJECT	COFFIN LEFT	LEFT SLING SHOT	THREE BANK UPPER	LEFT SKULL LANE	NOT USED	Black-Green J208-13 Lower Right Flipper E.O.S.
Orange-Red J205-2 CENTER COIN CHUTE U17-7	D2	2	White-Red J208-2 U18-9	WHEEL INDEX	COIN DOOR CLOSED	TROUGH BALL 1	COFFIN CENTER	RIGHT SLING SHOT	THREE BANK MIDDLE	CENTER SKULL LANE	NOT USED	Blue-Violet J212-12 Lower Right Flipper Opto
Orange-Black J205-3 RIGHT COIN CHUTE U17-11	D3	3	White-Orange J208-3 U18-5	START BUTTON	BUY IN BUTTON	TROUGH BALL 2	COFFIN RIGHT	UPPER JET BUMPER	THREE BANK LOWER	RIGHT SKULL LANE	NOT USED	Black-Blue J208-12 Lower Left Flipper E.O.S.
Orange-Yellow J205-4 4TH COIN CHUTE U17-9	D4	4	White-Yellow J208-4 U18-7	PLUMB BOB TILT	ALWAYS CLOSED	TROUGH BALL 3	LEFT RAMP ENTER	CENTER JET BUMPER	LEFT LEAPER	SECRET PASSAGE	NOT USED	Blue-Gray J212-11 Lower Left Flipper Opto
Orange-Green J205-6 Normal Function Srv Crdts	D5	5	White-Green J208-5 U19-11	NOT USED	EXTRA BALL LANE	TROUGH BALL 4	RIGHT RAMP ENTER	LOWER JET BUMPER	CENTER LEAPER	NOT USED	NOT USED	Black-Violet J208-11 Upper Right Flipper E.O.S.
Orange-Blue J205-7 Normal Function Volume Dn	D6	6	White-Blue J208-7 U19-9	KICK BACK	LEFT FLIPPER LANE	RIGHT POPPER	LEFT RAMP MADE	UPPER SLING SHOT	RIGHT LEAPER	NOT USED	NOT USED	Black-Yellow J212-10 Upper Right Flipper Opto
Orange-Violet J205-8 Normal Function Volume Up	D7	7	White-Violet J208-8 U19-5	RIGHT FLIPPER LANE	RIGHT OUTLANE	LEFT KICKOUT	RIGHT RAMP MADE	CRATE SENSOR	LEFT RAMP 10 POINT	NOT USED	NOT USED	Black-Gray J208-10 Upper Left Flipper E.O.S.
Orange-Grey J205-9 Normal Function Begin Test	D8	8	White-Grey J208-9 U19-7	SHOOTER LANE	SINGLE STANDUP	CRATE ENTRANCE	COFFIN ENTRANCE	LEFT LOOP	RIGHT LOOP	NOT USED	NOT USED	Black-Blue J212-9 Upper Left Flipper Opto

J2XX = CPU Board = OPTO, TYPICALLY CLOSED

www.inkochito.nl