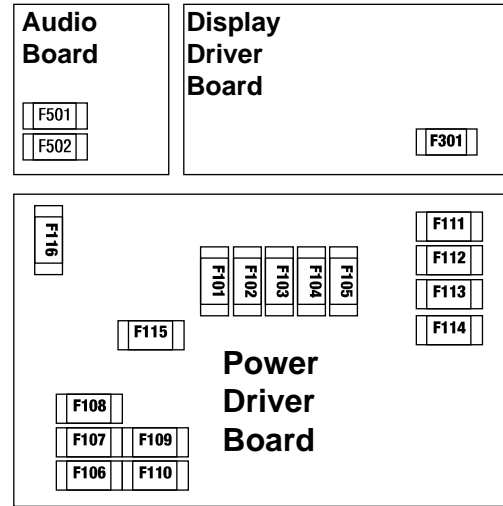


HARLEY DAVIDSON (20001)

FUSE LIST

POWER DRIVER BOARD		
F101	Left Flipper	2.5A, 250V, SB
F102	Right Flipper	2.5A, 250V, SB
F103	Solenoids #25 to #28	3A, 250V, SB
F104	Solenoids #9 to #16	3A, 250V, SB
F105	Solenoids #1 to #8	3A, 250V, SB
F106	G.I. #2 White-Violet	5A, 250V, SB
F107	G.I. #3 White-Yellow	5A, 250V, SB
F108	G.I. #5 White-Green	5A, 250V, SB
F109	G.I. #4 White-Orange	5A, 250V, SB
F110	G.I. #1 White-Brown	5A, 250V, SB
F111	Flasher Secondary	5A, 250V, SB
F112	Solenoid Secondary	5A, 250V, SB
F113	+5V Logic	5A, 250V, SB
F114	+18V Lamp Matrix	8A, 250V, N.B.
F115	+12V Switch Matrix	3/4A, 250V, SB
F116	+12V Secondary	3A, 250V, SB
Audio Board		
F501	-25V Circuit	3A, 250V, SB
F502	+25V Circuit	3A, 250V, SB
Display Driver Board		
F301	±100V Circuit	3/8A, 250V, SB
LINE FILTER		
Foreign		4A, 250V, SB
Domestic		8A, 250V, NB



SOLENOID/FLASHER TABLE

Sol No.	Function	Solenoid Type	Voltage Connections			Drive Xistor	Drive Connections			Drive Wire Color	Solenoid Part Number Flashlamp Type	
			Playfield	Backbox	Cabinet		Playfield	Insert	Cabinet		Playfield	Insert
01	Outhole	High Power	J107-3			Q82	J130-1			VIO-BRN	AE-26-1200	Insert
02	Ball Shooter Lane Feeder	High Power	J107-3			Q80	J130-2			VIO-RED	AE-26-1200	
03	Left Drop Bank	High Power	J107-3			Q78	J130-4			VIO-ORG	AE-26-1200	
04	Center Drop Bank	High Power	J107-3			Q76	J130-5			VIO-YEL	AE-26-1200	
05	Left Jet Bumper	High Power	J107-3			Q64	J130-6			VIO-GRN	AE-26-1200	
06	Right Jet Bumper	High Power	J107-3			Q66	J130-7			VIO-BLU	AE-26-1200	
07	Knocker	High Power	J107-3			Q68	J130-8			VIO-BLK	AE-23-800	
08	Lower Jet Bumper	High Power	J107-3			Q70	J130-9			VIO-GRY	AE-26-1200	
09	Lower Right Eject	Low Power	J107-2			Q58	J127-1			BRN-BLK	AE-26-1500	
10	Top Right Eject	Low Power	J107-2			Q56	J127-3			BRN-RED	AE-26-1500	
11	Top Left Eject	Low Power	J107-2			Q54	J127-4			BRN-ORG	AE-26-1500	
12	Top Right Gate	Low Power	J107-2			Q52	J127-5			BRN-YEL	A-14406	
13	Top Left Gate	Low Power	J107-2			Q50	J127-6			BRN-GRN	A-14406	
14	Not Used	Low Power				Q48				BRN-BLU		
15	Left Slingshot	Low Power	J107-2			Q46	J127-8			BRN-VIO	AE-26-1500	
16	Right Slingshot	Low Power	J107-2			Q44	J127-9			BRN-GRY	AE-26-1500	
17	Top Right Flasher	Flasher	J107-6			Q42	J126-1			BLK-BRN	#906	
18	Top Left Flasher	Flasher	J107-6			Q40	J126-2			BLK-RED	#906	
19	Right Million Flasher	Flasher	J107-6			Q38	J126-3			BLK-ORG	#906	
20	Left Million Flasher	Flasher	J107-6			Q36	J126-4			BLK-YEL	#906	
21	Speed Bonus Flasher	Flasher	J117-6			Q28	J126-6			BLU-GRN	#906	
22	Jackpot Flasher	Flasher	J117-6			Q30	J126-7			BLU-BLK	#906	
23	Speed Trap Flasher	Flasher	J107-6			Q34	J126-8			BLU-VIO	#89	
24	Helicopter Flasher	Flasher	J107-6			Q32	J126-9			BLU-GRY	#89	
25	Lower Right Flasher	Special	J107-6			Q26	J122-1			BLU-BRN	#89	
26	Lower Left Flasher	Special	J107-6			Q24	J122-2			BLU-RED	#89	
27	Shaker Motor	Special			J106-6	Q22			J124-3	BLU-ORG	14-7951	
28	Jet Bumpers Flasher	Special	J107-6			Q20	J122-4			BLU-YEL	#89	
General Illumination		G.I.	Voltage Connections			Drive Xistor	Drive Connections			Drive Wire	Bulb Type	
			Playfield	Backbox	Cabinet		Playfield	Backbox	Cabinet		Playfield	Backbox
01	String 1		J120-1			Q18	J120-7			WHT-BRN	#555	#555
02	String 2		J120-1	J121-2		Q10	J120-8	J121-8		WHT-ORG	#555	#555
03	String 3		J120-1	J121-3		Q14	J120-9	J121-9		WHT-YEL	#555	#555
04	String 4		J120-5			Q16	J120-10			WHT-GRN	#555	#555
05	String 5		J120-6	J121-6	J119-3	Q12	J120-11	J121-11	J119-1	WHT-VIO	#555	#555
Flipper Circuits		Power Voltage Connection	Playfield Connection	Cabinet Connection	Cabinet Ground	Coil Part No.	Coil Colors					
							Upper Left Flipper (Not Used)	Flipper	J109-1 (BLK-BLU)	J110-9 (BLK-YEL)		
							Upper Right Flipper (Not Used)	Flipper	J109-2 (BLK-YEL)	J110-8 (BLK-YEL)		
							Lower Left Flipper	Flipper	J109-5 (GRY-YEL)	J110-7 (BLU-GRY)		
						J110-2 (ORG-GRY)	FL-11630	RED				
						J110-3 (ORG-VIO)	FL-11630	RED				

J1XX = Power Driver Board.

LAMP MATRIX

Column	Red ← Yellow (B+) →							
	1 Yellow-Brown J138-1 Q98	2 Yellow-Red J138-2 Q97	3 Yellow-Orange J138-3 Q96	4 Yellow-Black J138-4 Q95	5 Yellow-Green J138-5 Q94	6 Yellow-Blue J138-6 Q93	7 Yellow-Violet J138-7 Q92	8 Yellow-Gray J138-9 Q91
1 Red-Brown J133-1 Q90	Los Angeles 11	Lamp 21 Back Panel 21	1st D in Davidson 31	B in Bike 41	2x Bonus 51	Right Eject Lock 61	Harley Value 50K 71	Left Million 81
2 Red-Black J133-2 Q89	Salt Lake City 12	Lamp 22 Back Panel 22	A in Davidson 32	I in Bike 42	3x Bonus 52	Right Eject Speed Bonus 62	Harley Value 100K 72	Right Million 82
3 Red-Orange J133-4 Q88	Sturgis 13	H in Harley 23	V in Davidson 33	K in Bike 43	4x Bonus 53	Right Eject Extra Ball 63	Harley Value 200K 73	Lamp 83 Back Panel 83
4 Red-Yellow J133-5 Q87	Milwaukee 14	A in Harley 24	I in Davidson 34	E in Bike 44	5x Bonus 54	Right Eject Jackpot 64	Harley Value 300K 74	Lamp 84 Back Panel 84
5 Red-Green J133-6 Q86	Chicago 15	R in Harley 25	2nd D in Davidson 35	Left Eject 25K 45	6x Bonus 55	Left Spinner 3K 65	Harley Value 500K 75	Laconia 85
6 Red-Blue J133-7 Q85	Talladega 16	L in Harley 26	S in Davidson 36	Left Eject 50K 46	U Top Lane 56	Left Advance City 66	Left Drain Extra 76	Daytona 86
7 Red-Violet J133-8 Q84	Lamp 17 Back Panel 17	E in Harley 27	O in Davidson 37	Left Eject 100K 47	S Top Lane 57	Right Spinner 3K 67	Right Drain Extra 77	York 87
8 Red-Grey J133-9 Q83	Lamp 18 Back Panel 18	Y in Harley 28	N in Davidson 38	Left Eject 150K 48	A Top Lane 58	Right Advance City 68	Ride Again 78	New York 88

J1XX = Power Driver Board

SWITCH MATRIX

DEDICATED GROUNDED SWITCHES	Column	White → Green ←							
		1 Green-Brown J207-1 U20-18	2 Green-Red J207-2 U20-17	3 Green-Orange J207-3 U20-16	4 Green-Yellow J207-4 U20-15	5 Green-Black J207-5 U20-14	6 Green-Blue J207-6 U20-13	7 Green-Violet J207-7 U20-12	8 Green-Grey J207-8 U20-11
Orange-Brown J205-1 LEFT COIN CHUTE U17-5	1 White-Brown J209-1 U18-11	Right Flipper 11	Slam Tilt 21	B in Bike 31	U Top Lane 41	H in Harley 51	V in Davidson 61	Left Loop 71	Not Used 81
Orange-Red J205-2 CENTER COIN CHUTE U17-7	2 White-Red J209-2 U18-9	Left Flipper 12	Coin Door Closed 22	I in Bike 32	S Top Lane 42	A in Harley 52	I in Davidson 62	Right Loop 72	Not Used 82
Orange-Black J205-3 RIGHT COIN CHUTE U17-11	3 White-Orange J209-3 U18-5	Start Button 13	Ticket Dispenser 23	K in Bike 33	A Top Lane 43	R in Harley 53	2nd D in Davidson 63	Left Drain 73	Not Used 83
Orange-Yellow J205-4 4 th COIN CHUTE U17-9	4 White-Yellow J209-4 U18-7	Plumb Bob Tilt 14	Always Closed 24	E in Bike 34	Not Used 44	L in Harley 54	S in Davidson 64	Right Drain 74	Not Used 84
Orange-Green J205-6 Normal Function Srv Crdts	5 White-Green J209-5 U19-11	Outhole 15	Left Jet Bumper 25	Top Right Eject 35	Not Used 45	E in Harley 55	O in Davidson 65	Shooter Lane 75	Not Used 85
Orange-Blue J205-7 Normal Function Volume Dn	6 White-Blue J209-7 U19-9	Trough 1 16	Right Jet Bumper 26	Top Left Eject 36	Not Used 46	Y in Harley 56	N in Davidson 66	Not Used 76	Not Used 86
Orange-Violet J205-8 Normal Function Volume Up	7 White-Violet J209-8 U19-5	Trough 2 17	Lower Jet Bumper 27	Left Slingshot 37	Not Used 47	1st D in Davidson 57	Right Spinner 67	Not Used 77	Not Used 87
Orange-Grey J205-9 Normal Function Begin Test	8 White-Grey J209-9 U19-7	Trough 3 18	Lower Right Eject 28	Right Slingshot 38	Not Used 48	A in Davidson 58	Left Spinner 68	Not Used 78	Not Used 88

J2XX = CPU Board

www.inkochinto.nl