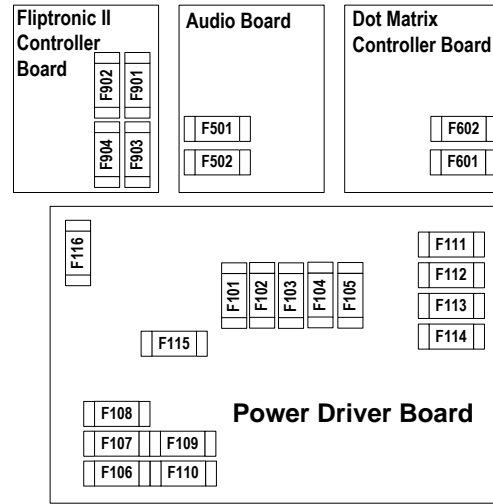


DOCTOR WHO (16-20006)

FUSE LIST

POWER DRIVER BOARD		
F101	+50V DC General (Left Flipper)	3A, (not used)
F102	+50V DC General (Right Flipper)	3A, (not used)
F103	Solenoids #25 to #28	3A, 250V, SB
F104	Solenoids #9 to #16	3A, 250V, SB
F105	Solenoids #1 to #8	3A, 250V, SB
F106	G.I. #5 White-Violet	5A, 250V, SB
F107	G.I. #4 White-Green	5A, 250V, SB
F108	G.I. #3 White-Yellow	5A, 250V, SB
F109	G.I. #2 White-Orange	5A, 250V, SB
F110	G.I. #1 White-Brown	5A, 250V, SB
F111	Flasher Secondary	5A, 250V, SB
F112	Solenoid Secondary	5A, 250V, SB
F113	+5V Logic	5A, 250V, SB
F114	+18V Lamp Matrix	8A, 32V, N.B.
F115	+12V Lamp Matrix	3/4A, 250V, FB
F116	+12V Secondary	3A, 250V, SB
Audio Board		
F501	-25V	3A, 250V, SB
F502	+25V	3A, 250V, SB
Dot Matrix Controller Board		
F601	+62V	3/8A, 250V, SB
F602	-113V & -125V	3/8A, 250V, SB
LINE FILTER		
Foreign		5A, 250V, SB
Domestic		8A, 250V, SB



Fliptronic II Controller Board		
F901	Upper Right Flipper	3A, 250V, SB
F902	Upper Left Flipper	3A, 250V, SB
F903	Lower Right Flipper	3A, 250V, SB
F904	Lower Left Flipper	3A, 250V, SB

SOLENOID/FLASHER TABLE

Sol No.	Function	Solenoid Type	Voltage Connections			Drive Xistor	Drive Connections			Drive Wire Color	Coil/Flashlamp Type	
			Playfield	Backbox	Cabinet		Playfield	Backbox	Cabinet		Playfield	Backbox
01	TRAP DOOR	High Power	J107-3			Q82	J130-1			VIO-BRN	AE-26-1500	
02	SHOOTER	Low Power	J107-2			Q80	J130-2			VIO-RED	AE-26-1200	
03	BALL POPPER	High Power	J107-3			Q78	J130-4			VIO-ORG	AE-23-800	
04	MINI PLAYFIELD LEFT EJECT	Low Power	J107-2			Q76	J130-5			VIO-YEL	AE-26-1500	
05	MINI PLAYFIELD RIGHT EJECT	Low Power	J107-2			Q64	J130-6			VIO-GRN	AE-26-1500	
06	2nd CHANCE LOGO	Flasher	J107-5			Q66	J130-7	J131-3		VIO-BLU	#906	
07	KNOCKER	High Power	J107-3			Q68	J130-8			VIO-BLK		AE-23-800
08	DOCTOR 3	Flasher	J107-5			Q70		J131-5		VIO-GRY	#906	
09	LEFT SLINGSHOT	Low Power	J107-2			Q58	J127-1			BRN-BLK	AE-26-1500	
10	RIGHT SLINGSHOT	Low Power	J107-2			Q56	J127-3			BRN-RED	AE-26-1500	
11	LEFT JET BUMPER	Low Power	J107-2			Q54	J127-4			BRN-ORG	AE-26-1200	
12	RIGHT JET BUMPER	Low Power	J107-2			Q52	J127-5			BRN-YEL	AE-26-1200	
13	BOTTOM JET BUMPER	Low Power	J107-2			Q50	J127-6			BRN-GRN	AE-26-1200	
14	BACKBOX HEAD	Flasher	J107-6			Q48		J128-2		BRN-BLU		#906
15	OUTHOLE	Low Power	J107-2			Q46	J127-8			BRN-VIO	AE-27-1200	
16	TROUGH	Low Power	J107-2			Q44	J127-9			BRN-GRY	AE-26-1200	
17	MINI PLAYFIELD/DOCTOR 7	Flasher	J107-5,6			Q42	J126-1	J125-1		BLK-BRN	#906	#906
18	5 x 3 LEFT/LEFT	Flasher	J107-5			Q40	J126-2	J125-2		BLK-RED	#906	#906
19	5 X 3 RIGHT/RIGHT	Flasher	J107-5			Q38	J126-3	J125-3		BLK-ORG	#906	#906
20	JET BUMPERS/DOCTOR 5	Flasher	J107-5,6			Q36	J126-4	J125-5		BLK-YEL	#906	#906
21	REPAIR/DOCTOR 4	Flasher	J107-5,6			Q28	J126-5	J125-6		BLU-GRN	#906	#906
22	W-(H)-O/DOCTOR 2	Flasher	J107-5			Q30	J126-6	J125-7		BLU-BLK	#906	#906
23	W-H(O)/DOCTOR 6	Flasher	J107-5			Q34	J126-7	J125-8		BLU-VIO	#906	#906
24	ESCAPE/DOCTOR 1	Flasher	J107-5			Q32	J126-8	J125-9		BLU-GRY	#89	#906
25	NOT USED	Gen. Purpose				Q26				BLU-BRN		
26	NOT USED	Gen. Purpose				Q24				BLU-RED		
27	MINI-PLAYFIELD C.C.W./C.W.	Gen. Purpose	J107-6			Q22	J122-3			BLU-ORG	A-15680	
28	MINI-PLAYFIELD ON/OFF	Gen. Purpose	J107-6			Q20	J122-4			BLU-YEL	A-15680	

General Illumination	Voltage Connections	Drive Xistor	Drive Connections	Drive Wire	Bulb Type	
					Playfield	Backbox
01	BACK PANEL TOP	G.I.	J121-1	Q18		#555
02	BACK PANEL BOTTOM	G.I.	J121-2	Q10		#555
03	PLAYFIELD A	G.I.	J120-3	Q14	J121-9	#44/#555
04	PLAYFIELD B	G.I.	J120-5	Q16	J121-10	#44/#555
05	PLAYFIELD C	G.I.	J120-6	Q12	J121-11	#44/#555

Flipper Circuits	Power	Playfield Voltage Connection	Drive Transistors	Playfield Drive Connections	Drive Wire Colors	Coil Part No.	Coil Colors
29	LOWER RIGHT FLIPPER	J907-1 (RED-GRN)	Q4	J902-13	YEL-GRN	FL-15411	ORG
30							
31	LOWER LEFT FLIPPER	J907-4 (RED-BLU)	Q3	J902-9	YEL-BLU	FL-15411	ORG
32							
33	NOT USED	J907-6 (RED-VIO)	Q2	J902-6	YEL-VIO		
34							
35	UPPER LEFT FLIPPER	J907-8 (RED-GRY)	Q1	J902-3	YEL-GRY	FL-15411	ORG
36							

LAMP MATRIX

Column	Row	1	2	3	4	5	6	7	8	
		Yellow-Brown J137-1 Q98	Yellow-Red J137-2 Q97	Yellow-Orange J137-3 Q96	Yellow-Black J137-4 Q95	Yellow-Green J137-5 Q94	Yellow-Blue J137-6 Q93	Yellow-Violet J137-7 Q92	Yellow-Grey J137-9 Q91	
1	Red-Brown J133-1 Q90	(E)-S-C-A-P-E	RIGHT RETURN LANE	5 X 3 TOP LEFT 1	5 X 3 MIDDLE LEFT 1	5 X 3 BOTTOM LEFT 1	(R)-E-P-A-I-R	DOCTOR 4 (2 LAMPS)	(W)-H-O	
2	Red-Black J133-2 Q89	E-(S)-C-A-P-E	RIGHT OUTLANE	5 X 3 TOP LEFT 2	5 X 3 MIDDLE LEFT 2	5 X 3 BOTTOM LEFT 2	R-(E)-P-A-I-R	DOCTOR 6 (2 LAMPS)	DOCTOR 3 (2 LAMPS)	
3	Red-Orange J133-4 Q88	E-S-(C)-A-P-E	DOCTOR 7 (2 LAMPS)	5 X 3 TOP MIDDLE	5 X 3 MIDDLE MIDDLE	5 X 3 BOTTOM MIDDLE	R-E-(P)-A-I-R	1.5X	W-H-O 1,000,000	
4	Red-Yellow J133-5 Q87	E-S-C-(A)-P-E	ESCAPE SPECIAL	5 X 3 TOP RIGHT 2	5 X 3 MIDDLE RIGHT 2	5 X 3 BOTTOM RIGHT 2	R-E-P-(A)-I-R	2X	W-H-O 2,000,000	
5	Red-Green J133-6 Q86	E-S-C-A-(P)-E	ESCAPE 3,000,000	5 X 3 TOP RIGHT 1	5 X 3 MIDDLE RIGHT 1	5 X 3 BOTTOM RIGHT 1	R-E-P-A-(I)-R	2.5X	W-H-O LITE EXTRA BALL	
6	Red-Blue J133-7 Q85	E-S-C-A-P-(E)	ESCAPE 2,000,000	DOCTOR 2 (2 LAMPS)	TRANSMAT AWARD	MINI PLAYFIELD LEFT LOCK	R-E-P-A-I-(R)	3X	BALL TRANSMAT & ADVANCE BONUS X	
7	Red-Violet J133-8 Q84		LEFT OUTLANE	ESCAPE 1,000,000	HANGON SCORE	TARDIS	MINI PLAYFIELD RIGHT LOCK	DOCTOR 5 (2 LAMPS)	3.5X	BALL LAUNCH
8	Red-Grey J133-9 Q83		LEFT RETURN LANE	ESCAPE 500,000	VIDEO MODE	DOCTOR 1 (2 LAMPS)	MINI PLAYFIELD TARGET	SHOOT AGAIN	4X	START BUTTON

J1XX = Power Driver Board

SWITCH MATRIX

DEDICATED GROUNDED SWITCHES	Column	Row	1	2	3	4	5	6	7	8	FLIPPER GROUNDED SWITCHES
			Green-Brown J206-1 U20-18	Green-Red J206-2 U20-17	Green-Orange J206-3 U20-16	Green-Yellow J206-4 U20-15	Green-Black J206-5 U20-14	Green-Blue J206-6 U20-13	Green-Violet J206-7 U20-12	Green-Grey J206-9 U20-11	
Orange-Brown J205-1 LEFT COIN CHUTE	1	White-Brown J208-1 U18-11	NOT USED	SLAM TILT	POPPER OPTO	(E)-S-C-A-P-E	(R)-E-P-A-I-R	LEFT JET	MINI-PLY 5 BANK RIGHT 1 OPTO	NOT USED	Black-Green J906-1 Lower Right Flipper E.O.S.
Orange-Red J205-2 CENTER COIN CHUTE	2	White-Red J208-2 U18-9	NOT USED	COIN DOOR CLOSED	MINI-PLY HOME OPTO	E-(S)-C-A-P-E	R-(E)-P-A-I-R	RIGHT JET	MINI-PLY 5 BANK RIGHT 2 OPTO	PLAYFIELD GLAS	Black-Violet J905-1 Lower Right Flipper Opto
Orange-Black J205-3 RIGHT COIN CHUTE	3	White-Orange J208-3 U18-5	START BUTTON	TICKET OPTO	ENTER TOP RAMP OPTO	E-S-(C)-A-P-E	R-E-(P)-A-I-R	BOTTOM JET	MINI-PLY 5 BANK MIDDLE OPTO	NOT USED	Black-Blue J906-3 Lower Left Flipper E.O.S.
Orange-Yellow J205-4 4TH COIN CHUTE	4	White-Yellow J208-4 U18-7	PLUMB BOB TILT	ALWAYS CLOSED	LAUNCH BALL	E-S-C-(A)-P-E	R-E-P-(A)-I-R	LEFT OUTLANE	MINI-PLY 5 BANK LEFT 2 OPTO	NOT USED	Black-Gray J905-2 Lower Left Flipper Opto
Orange-Green J205-6	5	White-Green J208-5 U19-11	LEFT SLINGSHOT	TROUGH 1 BALL	SCORE TOP RAMP	E-S-C-A-(P)-E	R-E-P-A-(I)-R	LEFT RETURN LANE	MINI-PLY 5 BANK LEFT 1 OPTO	NOT USED	Black-Violet J906-4 Upper Right Flipper E.O.S.
Orange-Blue J205-7	6	White-Blue J208-7 U19-9	RIGHT SLINGSHOT	TROUGH 2 BALLS	ENTER BOTTOM RAMP	E-S-C-A-P-(E)	R-E-P-A-I-(R)	RIGHT RETURN LANE	MINI-PLY LEFT EJECT OPTO	NOT USED	Black-Yellow J905-3 Upper Right Flipper Opto
Orange-Violet J205-8	7	White-Violet J208-8 U19-5	SHOOTER LANE	TROUGH 3 BALLS	SCORE BOTTOM RAMP	HANG ON SCORE	TRAP DOOR DOWN	RIGHT OUTLANE	MINI-PLY RIGHT EJECT OPTO	NOT USED	Black-Gray J906-5 Upper Left Flipper E.O.S.
Orange-Grey J205-9	8	White-Grey J208-9 U19-7	EXIT JETS	OUTHOLE	MINI-PLY DOOR, MIDDLE	SELECT DOCTOR	TRANSMAT AWARD	MINI-PLY DOOR, LEFT	MINI-PLY LITES LOCK	MINI-PLY DOOR, RIGHT	Black-Blue J905-5 Upper Left Flipper Opto

J2XX = CPU Board; J9XX = Fliptronic II Board;

Yellow = OPTO, TYPICALLY CLOSED

www.inkchinito.nl