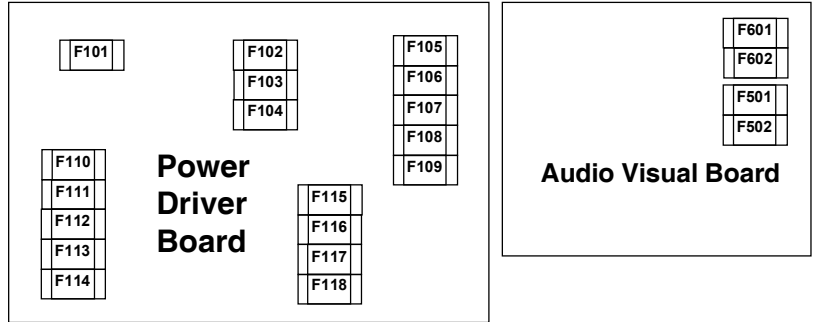


Cirque Voltaire (50062)

FUSE LIST

AUDIO/VIDEO BOARD			POWER DRIVER BOARD					
F501	-25V	T2.5A, 250V	F101	Regulated 12V	T0.63A, 250V	F110	G.I. #5 White-Violet	T4.0A, 250V
F502	+25V	T2.5A, 250V	F102	Solenoids #9 to #16	T4.0A, 250V	F111	G.I. #4 White-Green	T4.0A, 250V
F601	+62V	T0.315A, 250V	F103	Solenoids #1 to #8	T4.0A, 250V	F112	G.I. #3 White-Yellow	T4.0A, 250V
F602	-113V & -125V	T0.315A, 250V	F104	Solenoids #25 to #28	T4.0A, 250V	F113	G.I. #2 White-Orange	T4.0A, 250V
			F105	+5V Logic	T4.0A, 250V	F114	G.I. #1 White-Brown	T4.0A, 250V
			F106	+18V Lamp Matrix	T5.0A, 250V	F115	+50V Flippers	T4.0A, 250V
			F107	Flasher Secondary	T4.0A, 250V	F116	+50V Flippers	T4.0A, 250V
			F108	Solenoid Secondary	T6.3A, 250V	F117	+50V Flippers	T4.0A, 250V
			F109	Unregulated 12V	T4.0A, 250V	F118	+50V Flippers	T4.0A, 250V
LINE FILTER								
Foreign		T4.0A, 250V						
Domestic		T5.0A, 250V						

CAUTION: FOR CONTINUED PROTECTION AGAINST RISK OF FIRE, REPLACE ONLY WITH THE SAME TYPE OF FUSE HAVING THE SAME ELECTRICAL RATINGS.
ATTENTION: UTILISER UN FUSIBLE DE RECHARGE DE MEME TYPE



LAMP MATRIX

Column \ Row	Yellow (B+)							Red
	1 Yellow-Brown J121-1 Q96	2 Yellow-Red J121-2 Q100	3 Yellow-Orange J121-3 Q95	4 Yellow-Black J121-4 Q99	5 Yellow-Green J121-5 Q94	6 Yellow-Blue J121-6 Q98	7 Yellow-Violet J121-7 Q93	8 Yellow-Grey J121-9 Q97
1 Red-Brown J125-1 Q104	CIRQUS "R" 11	CIRQUS "I" 21	SIDE SHOW 31	RING-MASTER LEFT 41	CRANK TOP 51	MIDDLE JACKPOT 61	WOW RIGHT "W" TARGET 71	EXTRA BALL 81
2 Red-Black J125-2 Q108	GRID TOP 12	CIRQUS "C" 22	LEFT LOOP TOP 32	RING-MASTER 2 42	CRANK 2 52	RIGHT JACKPOT 62	WOW "O" TARGET 72	TOP JET BUMPER 82
3 Red-Orange J125-4 Q103	CIRQUS "Q" 13	GRID MIDDLE/LEFT 23	LEFT LOOP 3 33	RING-MASTER 3 43	CRANK 3 53	LIGHT STANDUP TARGET 63	WOW LEFT "W" TARGET 73	MIDDLE JET BUMPER 83
4 Red-Yellow J125-5 Q107	CIRQUS "U" 14	GRID BOTTOM/LEFT 24	LEFT LOOP 2 34	RING-MASTER 4 44	CRANK BOTTOM 54	LOCK STANDUP TARGET 64	RING "N" 74	LOWER JET BUMPER 84
5 Red-Green J125-6 Q102	GRID TOP/RIGHT 15	GRID BOTTOM 25	LEFT LOOP 1 35	RING-MASTER RIGHT 45	RIGHT LOOP TOP 55	RING "R" 65	RING "G" 75	RIGHT IN-LANE 85
6 Red-Blue J125-7 Q106	CIRQUS "S" 16	GRID MIDDLE 26	MULTIBALL 36	SPECIAL 46	RIGHT LOOP 3 56	RING "I" 66	RIGHT OUTLANE 76	VOLT LEFT 86
7 Red-Violet J125-8 Q101	GRID MIDDLE/RIGHT 17	GRID BOTTOM/RIGHT 27	LOCK 37	RAZZ 47	RIGHT LOOP 2 57	SHOOT AGAIN 67	LEFT IN-LANE 77	VOLT RIGHT 87
8 Red-Grey J125-9 Q105	LEFT JACKPOT 18	GRID TOP/LEFT 28	SPOT MARVEL 38	FRENZY 48	RIGHT LOOP 1 58	LEFT OUTLANE 68	SKILL RING 78	START BUTTON 88

J1XX = Power Driver Board

SOLENOID/FLASHER TABLE

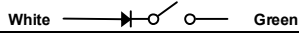
Sol No.	Function	Solenoid Type	Voltage Connections			Drive Xistor	Drive Connections			Drive Wire Color	Solenoid Part Number Flashlamp Type	
			Playfield	Backbox	Cabinet		Playfield	Backbox	Cabinet		Playfield	Backbox
01	PLUNGER	High Power	J133-2			Q72	J116-1			VIO-BRN	AE-23-800	
02	BACKBOX KICK	High Power		J134-3		Q68		J118-2		VIO-RED	AE-23-800	
03	LEFT LOOP MAGNET	High Power	J133-2			Q71	J116-4			VIO-ORG	20-10197	
04	MIDDLE JET BUMPER	High Power	J133-2			Q67	J116-5			VIO-YEL	AE-23-800	
05	RAMP MAGNET	High Power	J133-2			Q70	J116-6			VIO-GRN	20-10197	
06	DIVERTER POWER	High Power	J133-2			Q66	J116-7			VIO-BLU	FL-11753	
07	JET UP	High Power	J133-2			Q69	J116-8			VIO-BLK	FL-11630	
08	JET RELEASE	High Power	J133-2			Q65	J116-9			VIO-GRY	SM1-26-600	
09	TROUGH EJECT	Low Power	J133-3			Q44	J114-1			BRN-BLK	AE-26-1500	
10	LEFT SLINGSHOT	Low Power	J133-3			Q48	J114-3			BRN-RED	AE-26-1200	
11	RIGHT SLINGSHOT	Low Power	J133-3			Q43	J114-4			BRN-ORG	AE-26-1200	
12	UPPER JET BUMPER	Low Power	J133-3			Q47	J114-5			BRN-YEL	AE-26-1200	
13	LOWER JET BUMPER	Low Power	J133-3			Q42	J114-6			BRN-GRN	AE-26-1200	
14	LEFT SAUCER	Low Power	J133-3			Q46	J114-7			BRN-BLU	AE-27-1200	
15	RIGHT SAUCER	Low Power	J133-3			Q41	J114-8			BRN-VIO	AE-27-1200	
16	LOCK POST	Low Power	J133-3			Q45	J114-9			BRN-GRY	AE-26-1500	
17	JOIN FLASHERS	Flasher	J133-6			Q28	J111-1			BLK-BRN	#906	
18	RING #1 FLASHERS	Flasher	J133-6			Q32	J111-2			BLK-RED	#906	
19	RING #2 FLASHERS	Flasher	J133-6			Q27	J111-3			BLK-ORG	#906	
20	RING #3 FLASHERS	Flasher	J133-6			Q31	J111-4			BLK-YEL	#906	
21	RIGHT PLAYFIELD FLASHER UPPER RIGHT BACKBOX FLS	Flasher	J133-3	J134-5		Q26	J111-5	J112-6		BLU-GRN	#906	#906
22	MOTOR ENABLE	Flasher	J133-6			Q30	J111-6			BLU-BLK	A-15680	
23	JET FLASHER	Flasher	J133-6			Q25	J111-7			BLU-VIO	#906	
24	LEFT PLAYFIELD FLASHER UPPER LEFT BACKBOX FLS	Flasher	J133-6	J134-5		Q29	J111-8	J112-9		BLU-GRY	#906	#906
25	UPPER LEFT FLASHER	Gen. Purpose	J133-6			Q16	J109-1			BLU-BRN	#906	
26	UP. RIGHT PLAYFIELD FLS LOWER LEFT BACKBOX FLS	Gen. Purpose	J133-6	J134-5		Q15	J109-2	J107-3		BLU-RED	#906	#906
27	RINGMASTER FLASHERS (2)	Gen. Purpose	J133-6			Q14	J109-3			BLU-ORG	#906	
28	BEAR PLAYFIELD FLASHER LOWER RIGHT BACKBOX FLS	Gen. Purpose	J133-6	J134-5		Q13	J109-4	J107-5		BLU-YEL	#906	#906
General Illumination			Voltage Connections			Drive Xistor	Drive Connections			Drive Wire	Bulb Type	
Sol No.	Function	Solenoid Type	Playfield	Insert	Cabinet		Playfield	Insert	Cabinet		Playfield	Insert
01	PLAYFIELD RIGHT	G.I.	J105-1			Q5	J105-7			WHT-BRN	#44	
02	PLAYFIELD MIDDLE	G.I.	J105-2			Q4	J105-8			WHT-ORG	#44	
03	PLAYFIELD LEFT	G.I.	J105-3			Q3	J105-9			WHT-YEL	#44	
04	* BACKBOX 2	G.I.		J106-5		Q2		J106-10		WHT-GRN		#555
05	* BACKBOX 1	G.I.		J106-6	J104-3	Q1		J106-11	J104-1	WHT-VIO		#555
Flipper Circuits		Solenoid Type	Voltage Connection		Drive Transistors		Drive Connections		Drive Wire Colors		Coil Part No.	Coil Colors
			Playfield	Power	Hold	Playfield	Power	Hold	Power	Hold		
29	LOWER RIGHT FLIPPER	Power	J119-1 (RED-GRN)	Q90		J120-13	YEL-GRN				FL-11630	RED
30		Hold	J119-1 (RED-GRN)		Q92		J120-11	ORG-GRN				
31	LOWER LEFT FLIPPER	Power	J119-4 (RED-BLU)	Q87		J120-9	YEL-BLU				FL-11630	RED
32		Hold	J119-4 (RED-BLU)		Q89		J120-7	ORG-BLU				
33	POPPER	Power	J119-6 (RED-VIO)	Q84		J120-6	YEL-VIO				AL-25-1000	BROWN
34	DIVERTER HOLD	Hold	J119-6 (RED-VIO)		Q86	J120-4	ORG-VIO				FL-11730	YELLOW
35	RINGMASTER MAGNET	Power	J119-8 (RED-GRY)	Q81		J120-3	YEL-GRY				20-10197	
36	UPPER POST	Hold	J119-8 (RED-GRY)		Q83	J120-1	ORG-GRY				AE-27-1200	WHITE
Motor Circuit		Solenoid Type	Voltage Connection		Drive Gates		Drive Connections		Drive Wire Colors		Device Part Number	
			Playfield			Playfield					Playfield	
37	NEON	Low Power	J139-2			U3A, U3B	J110-1			BRN-WHT		A-21577
38	NOT USED											
39	MOTOR DIRECTION	Low Power	J133-6			U3G, U3H	J110-4			YEL-WHT		A-15680
40	EDDY BOARD	Low Power	J-139-2			U3E, U3F	J110-5			BLU-WHT		A-21745-2

J1XX = POWER DRIVER BOARD

24-6549 = #44 BULB; 24-8704 = #89 BULB; 24-8768 = #555 BULB; 24-8802 = #906 BULB

*These general illumination strings do not brighten and dim, they are always on

SWITCH MATRIX



DEDICATED GROUNDED SWITCHES	Column		1	2	3	4	5	6	7	8	FLIPPER GROUNDED SWITCHES
	Row		Green-Brown J206-1 U20-18	Green-Red J206-2 U20-17	Green-Orange J206-3 U20-16	Green-Yellow J206-4 U20-15	Green-Black J206-5 U20-14	Green-Blue J206-6 U20-13	Green-Violet J206-7 U20-12	Green-Grey J206-9 U20-11	
Orange-Brown J205-1 LEFT COIN CHUTE U17-5 D1	1 White-Brown J208-1 U18-11	BACKBOX LUCK 11	SLAM TILT 21	TROUGH EJECT 31	LEFT LANE 41	LEFT SLINGSHOT 51	LIGHT STANDUP TARGET 61	LEFT SAUCER 71	NOT USED 81	Black-Green J208-13 Lower Right Flipper E.O.S. F1	
Orange-Red J205-2 CENTER COIN CHUTE U17-7 D2	2 White-Red J208-2 U18-9	WIRE RAMP ENTER 12	COIN DOOR CLOSED 22	TROUGH BALL 1 32	RING- MASTER UP 42	RIGHT SLINGSHOT 52	LOCK STANDUP TARGET 62	RIGHT SAUCER 72	NOT USED 82	Blue-Violet J212-12 Lower Right Flipper Opto F2	
Orange-Black J205-3 RIGHT COIN CHUTE U17-11 D3	3 White-Orange J208-3 U18-5	START BUTTON 13	RIGHT LOOP UPPER 23	TROUGH BALL 2 33	RING- MASTER MIDDLE 43	UPPER JET BUMPER 53	RAMP ENTER 63	NOT USED 73	NOT USED 83	Black-Blue J208-12 Lower Left Flipper E.O.S. F3	
Orange-Yellow J205-4 4 TH COIN CHUTE U17-9 D4	4 White-Yellow J208-4 U18-7	PLUMB BOB TILT 14	ALWAYS CLOSED 24	TROUGH BALL 3 34	RING- MASTER DOWN 44	MIDDLE JET BUMPER 54	RAMP MAGNET 64	BIG BALL REBOUND 74	NOT USED 84	Blue-Gray J212-11 Lower Left Flipper Opto F4	
Orange-Green J205-6 Normal Function Srv Crdts U16-9 Test Function Escape D5	5 White-Green J208-5 U19-11	LEFT LOOP UPPER 15	INNER LOOP LEFT 25	TROUGH BALL 4 35	LEFT RAMP MADE 45	LOWER JET BUMPER 55	RAMP MADE 65	VOLT RIGHT 75	NOT USED 85	Black-Violet J208-11 RIGHT SPINNER F5	
Orange-Blue J205-7 Normal Function Volume Dn U16-11 Test Function Down D6	6 White-Blue J208-7 U19-9	TOP EDDY 16	LEFT IN-LANE 26	POPPER OPTO 36	TROUGH UPPER 46	SKILL SHOT 56	RAMP LOCK LOW 66	VOLT LEFT 76	NOT USED 86	Black-Yellow J212-10 Upper Right Flipper Opto F6	
Orange-Violet J205-8 Normal Function Volume Up U16-7 Test Function Up D7	7 White-Violet J208-8 U19-5	RIGHT IN-LANE 17	LEFT OUTLANE 27	"WOW" TARGETS 37	TROUGH MIDDLE 47	RIGHT OUTLANE 57	RAMP LOCK MIDDLE 67	NOT USED 77	NOT USED 87	Black-Gray J208-10 LEFT SPINNER F7	
Orange-Grey J205-9 Normal Function Begin Test U16-5 Test Function Enter D8	8 White-Grey J208-9 U19-7	SHOOTER LANE 18	INNER LOOP RIGHT 28	TOP TARGETS 38	LEFT LOOP ENTER 48	RING "N", "G" 58	RAMP LOCK HIGH 68	NOT USED 78	NOT USED 88	Black-Blue J212-9 Upper Left Flipper Opto F8	

J2XX = CPU Board = OPTO, TYPICALLY CLOSED